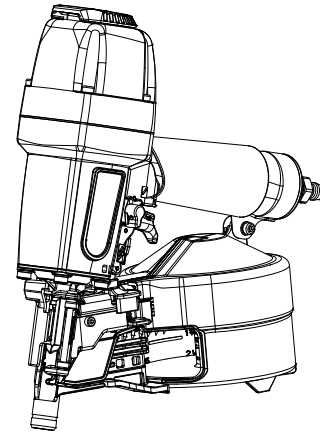


Instruction and safety manual

Model

CN65S

Pneumatic
Siding
Coil nailer



⚠ DANGER

Improper use of this nailer can result in death or serious injury!
This Manual contains important information about product safety.
Read and understand this Manual before operating this Nailer.
Never allow anyone who has not reviewed this manual to use the tool.
This manual should be stored in safe place.

印刷要求:

1. 尺寸: A5;
2. 印刷颜色为黑色

此页面不印刷

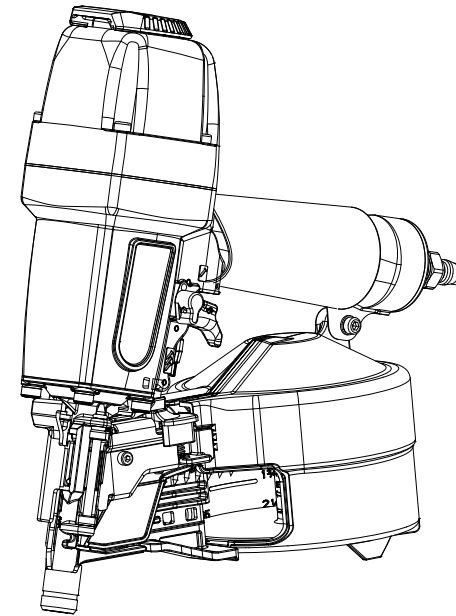
材料	A580G		比例	70%	视角			CN65S英文 操作说明书			
数量			重量		设计						
更改记录	A-2: 修改图纸名称				制图	卢静瑜	日 期	22.02.22	文件编号		
					一审				图号	GBN13A00300	
					二审				版本/次	A-2	第 1 张
					三审				广东美特机械有限公司		
	标记	处数	更改号	日期	签名	核准					

Instruction and safety manual

Model

CN65S

Pneumatic
Siding
Coil nailer



CE

⚠ DANGER

Improper use of this nailer can result in death or serious injury!
This Manual contains important information about product safety.
Read and understand this Manual before operating this Nailer.
Never allow anyone who has not reviewed this manual to use the tool.
This manual should be stored in safe place.

CONTENTS

IMPORTANT SAFETY INFORMATION	2	APPLICATIONS	10
DEFINITIONS OF SINGAL WORDS	2	BEFORE OPERATION	10
EXPLANATION OF THE NAILING OF THE NAILER	2	— WORKING ENVIORMENT	10
SAFETY		— AIR SUPPLY	10
IMPORTANT SAFETY INSTRUCTIONS— FOR USING NAILERS	3	— LUBRICATION	11
RESPONSIBILITIES OF EMPLOYER TOOL OWNER AND TOOL OPERATOR	7	— COLD WEATHER	11
OPERATION		— TESTING THE NAILER	11
NAME OF PARTS	8	— ADJUSTING AIR PRESSURE	12
SPECIFICATIONS	9	LOADING NAILS	12
NAIL SELECTION	9	NAILER OPERATION	13
ACCESSORIES	9	— METHODS OF OPERATION	14
		MAINTENANCE	
		MAINTENANCE AND INSPECTION	17
		SERVICE AND REPAIRS	18

IMPORTANT SAFETY INFORMATION



Read and understand tool labels and all of the operating instructions, safety precautions and warnings in this manual before operating or maintaining this Nailer. Failure to follow warnings could result in DEATH or SERIOUS INJURY

Most accidents that result from the operation and maintenance of Nailers are caused by the failure to observe basic safety rules or precautions. An accident can often be avoided by recognizing a potentially hazardous situation before it occurs, and by observing appropriate safety procedures.

Basic safety precautions are outlined in the "SAFETY" section of this Manual and in the sections which contain the operation and maintenance instructions

Hazards that must be avoided to prevent bodily injury or machine damage are identified by DANGERS and WARNINGS on the Nailer and in this Manual

NEVER use this Nailer for applications other than those specified in this Manual

DEFINITIONS OF SIGNAL WORDS

DANGER indicates an imminently hazardous situation which, if not avoided, will result in death or serious injury

WARNING indicates a potentially hazardous situation which, if not avoided, could result in death or serious injury

CAUTION indicates a potentially hazardous situation which, if not avoided, may result in minor or moderate injury, or may cause machine damage.

NOTE emphasizes essential information.

EXPLANATION OF THE NAILING ACTION OF THE NAILER

○ CONTACT ACTUATION MECHANISM:

First, press the push lever against the wood; next, pull the trigger to drive the fastener.

First, pull the trigger; ne xt, press the push lever against the wood to drive the fastener.

If the Trigger is held back, a nail will be driven each time the Push Lever is pressed against the wood.

SAFETY

IMPORTANT SAFETY INFORMATION

INSTRUCTIONS PERTAINING TO A RISK OF FIRE, ELECTRIC SHOCK, OR INJURY TO PERSONS

● General

To reduce the risks of electric shock, fire, and injury to persons, **READ ALL THE INSTRUCTIONS BEFORE USING THE TOOL.**

⚠ DANGER

1. OPERATORS AND OTHERS IN WORK AREA MUST WEAR EYE PROTECTION (SAFETY GLASSES WITH SIDE SHIELDS).



When operating the Nailer, always wear Safety glasses with side shields, and make sure others in work area wear safety glasses, too.

Safety glasses must conform to the Requirements of American National Standards institute, ANSI Z87.1 and provide protection against flying particles both from the front and side. Ordinary eyeglasses do not provide adequate protection .

The employer must enforce the use of Safety glasses by the Nailer operator and others in work area.

2. NEVER USE REACTIVE GASES OR OTHER BOTTLED GASES. EXPLOSION MAY OCCUR.



Never use reactive gasses such as oxygen, combustible gases or any other bottled gases as a power source for the Nailer.

Use of the above gasses is dangerous, as the Nailer will explode. Use only clean, dry, regulated compressed air.

⚠ WARNING

3. NEVER POINT TOOL AT YOURSELF OR OTHERS IN WORK AREA.



Always assume that the Nailer contains fasteners

Never point the Nailer toward yourself or others, whether it contains fasteners or not.

If fasteners are mistakenly driven, it can lead to severe injuries.

Respect the Nailer as a working implement

4. DO NOT PLACE FINGER ON TRIGGER AND KEEP FINGERS AWAY FROM TRIGGER WHEN NOT DRIVING FASTENERS TO AVOID ACCIDENTAL DISCHARGE.

Never carry the Nailer with finger on Trigger since you could drive a fastener unintentionally and injure yourself or someone else.

Always carry the Nailer by the handle only.

5. KNOW AND UNDERSTAND WHAT TRIGGER SYSTEM YOU ARE USING.

Read and understand section titled "METHODS OF OPERATION ."

6. DO NOT MAKE CONTACT WITH SAFETY TIP (PUSH LEVER) WHEN NOT DRIVING FASTENERS.

SAFETY—Continued

⚠ WARNING

1. Work area

- (1) **Keep the work area clean and well lighted.**
Cluttered benches and dark areas increase the risks of electric shock, fire, and injury to persons
- (2) **Do not operate the Nailer in explosive atmospheres, such as in the presence of flammable liquids, gases, or combustible dust.**
The Nailer is able to create sparks resulting in the ignition of the dust or fumes
- (3) **Keep bystanders, children, and visitors away while operating the Nailer.** Distractions are able to result in the loss of control of the Nailer.

2. Personal safety

- (1) **Stay alert. Focus on your work and use common sense when working with the Nailer. Do not use the Nailer while tired, after having consumed drugs or alcohol, or while under the influence of medication.**
A moment of inattention while operating the Nailer increases the risk of injury to persons.
- (2) **Dress properly. Do not wear loose clothing or jewelry. Contain long hair. Keep hair, clothing, and gloves away from moving parts.**
Loose clothes, jewelry, or long hair increases the risk of injury to persons as a result of being caught in moving parts.
- (3) **Avoid unintentional starting. Be sure the switch is off before connecting to the air supply.**
Do not carry the Nailer with your finger on the switch or connect the Nailer to the air supply with the switch on.

- (4) **⚠ WARNING** – **Disconnect the Nailer from the air source before making adjustments, doing Nailer maintenance, clearing jams, touching the Push Lever, when not in use, leaving work area, Leaving the Nailer outside of the operator's supervision or control, loading, or unloading the Nailer, Handing it to another person, elevating, lowering or otherwise moving the Nailer to a new location.**
Never attempt to clear a jam or repair the Nailer unless you have disconnected air hose from the Nailer and removed all remaining fasteners from the Nailer. The Nailer should never be left unattended since people who are not familiar with the Nailer might handle it and injure themselves.

Such precautionary measures reduce the risk of injury to persons.

- (5) **Do not overreach. Keep proper footing and balance at all times.** Proper footing and balance enables better control of the Nailer in unexpected situations.
- (6) **Use safety equipment.** A dust mask, non-skid safety shoes and a hard hat must be used for the applicable conditions
- (7) **⚠ WARNING** – **Risk of hearing loss. Wear hearing protection.**
Hearing protection shall have a Noise Reduction Rating (NRR) determined in accordance with US Environmental Protection Agency rules that is appropriate for noise exposure.
- (8) **Always wear head protection. Always wear head protection to protect your head from flying objects.**
- (9) **Do not attach the hose or Nailer to your body.**
Attach the hose to the structure to reduce the risk of loss of balance if the hose shifts.
- (10) **⚠ WARNING** – **Drive Nails into proper work surface only.** Do not drive nail into other nails. This is able to cause the fastener to be deflected and hit someone, or cause the Nailer to react and result in a risk of injury to persons.

3. Nailer use and care

- (1) **Use clamps or another practical way to secure and support the workpiece to a stable platform.**
Holding the work by hand or against the body is unstable and is able to lead to loss of control.
- (2) **Do not force the Nailer.** Use the correct Nailer for the application. The correct Nailer will do the job better and safer at the rate for which the Nailer is designed.
- (3) **Do not use the Nailer if the switch does not turn the Nailer on or off.** Any Nailer that cannot be controlled with the switch is dangerous and must be repaired.
Never use Nailer which is defective or operating abnormally. If the Nailer appears to be operating unusually, making strange noises, or otherwise appears defective, stop using it immediately and arrange for repairs by a authorized service center.

SAFETY—Continued

⚠ WARNING

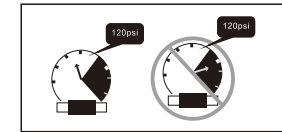
- (4) **Disconnect the Nailer from the air source before making any adjustments, changing accessories, or storing the Nailer.** Such preventive safety measures reduce the risk of starting the Nailer unintentionally.
- (5) **Store the Nailer when it is idle out of reach of children and other untrained persons.** A Nailer is dangerous in the hands of untrained users.
- (6) **Maintain the Nailer with care.** Keep the Nailer Clean and lubricated for better and safer performance.
- (7) **Check for misalignment or binding of moving parts, breakage of parts, and any other condition that may affect the Nailer's operation.**
If damaged, have the Nailer serviced before using. Because of high air pressure in the Nailer, cracks in the Surface are dangerous. To avoid this, do not drop the Nailer or strike the Nailer against hard surfaces and do not scratch or engrave signs on the Nailer. Many accidents are caused by poorly maintained Nailers. There is a risk of bursting if the Nailer is damaged.
- (8) **Do not use the Nailer that is not in proper working order. Tags and physical segregation shall be used for control.**
- (9) **Use only accessories that are for the specific Nailer.** Use of an accessory not intend for use with the Nailer are able to result in a risk of injury to persons or Nailer damage when used in this Nailer.

4. Service

- (1) **Tool service must be performed only by qualified repair personnel.**
- (2) **When servicing a Nailer, use only identical replacement parts. Use only authorized parts.**
- (3) **Use only the lubricants supplied with the Nailer or specified by manufacturer.**

5. Air source

- (1) **Never connect to an air source that is capable of exceeding 200 psi (13.7 bar 14 kgf/cm²) if regulator fails.**
Over pressurizing the Nailer or serious injury to persons.



DO NOT EXCEED 120psi (8.3bar 8.5 kg-cm²)

Use only clean, dry, regulated compressed air at the rated pressure or within the rated pressure range as marked on the Nailer.
Always verify prior to using the Nailer that the air source has been adjusted to the rated air pressure or within the Rated air—pressure range.

- (2) **Never use reactive gases such as oxygen, carbon dioxide, combustible gases or any bottled gas as an air source for the Nailer. Such gases are capable of explosion and serious injury to persons.**

6. Others

Be careful of double fire and being hit by the Nailer due to spring back("recoil").

After driving a nail, the Nailer may recoil causing it to move away from the work surface.

To reduce risk of injury always manage recoil by:

- 1) Always maintaining control of the Nailer.
- 2) Allowing recoil to move the Nailer away from work surface.
- 3) Not resisting recoil such that the Nailer away from work surface. In "CONTACT ACTUATION MECHANISM", if push lever is allowed to re-contact work surface before the trigger is released, an unintended discharge of a nail will occur. In order to avoid this undesirable double fire,
 - ① Intermittent operation(Trigger fire).
 - ① Pull the trigger rapidly and firmly.
 - ② Release the trigger QUICKLY.

SAFETY—Continued

WARNING

- Continuous operation (Push lever fire)
 - ① Do not press the Nailer against the wood with excessive force.
 - ② Separate the Nailer from the wood as it recoils after nailing.
- 4) keeping face and body parts away from the Nailer.
- (2) **Never Use NON relieving coupler on Nailer.** If a non relieving coupler is used on the Nailer, the Nailer can remain charged with air after disconnecting and thus will be able to drive a fastener even after disconnecting. The Nailer and air hose must have a hose coupling such that all pressure is removed from the Nailer when the coupling joint is disconnected.
- (3) **Check Push Lever before use.** Make sure the Push Lever operates properly, and is not inoperable disconnected, or altered. (The Push Lever may be called "Safety".) Never use the Nailer unless the Push Lever is operating properly, otherwise the Nailer could drive a fastener unexpectedly. Do not tamper with or remove the Push Lever, or otherwise cause the Push Lever to become inoperable.
- (4) **Keep all screws and covers tightly in place.** Keep all screws and covers tightly mounted. Check their condition periodically. Never use the Nailer if parts are missing or damaged
- (5) **Do not load fasteners with Trigger or Push Lever depressed.** When loading fasteners into the Nailer or when connecting the air hose.
 - 1) Do not depress the Trigger;
 - 2) Do not depress the Push Lever; and
 - 3) Keep the Nailer pointed downward
- (6) **Keep hands and body away from firing head during use.** Never place your hands or feet closer than 8 inches (200 mm) from the firing head. A serious injury can result if the fasteners are deflected by the workpiece, or are driven away from the point of entry.
- (7) **When working close to an edge of a workpiece or at steep angles, or driving fasteners into thin workpiece use care to minimize chipping, splitting or splintering, or free flight, ricochet or piercing of fasteners, which may cause injury.**
- (8) **Never drive fasteners from both sides of a wall at the same time.** The fasteners can be driven into and through the wall and hit a person on the opposite side.
- (9) **Use extra caution when driving the Nailer into existing walls or other blind areas to prevent contact with hidden objects or persons on other side (eg., wires, pipes).**
- (10) **Check for live wires.** Avoid the risk of severe electrical shock by checking for live electrical wires that may be hidden by walls, floors or ceilings. Turn off the breaker switch to ensure there are no live.
- (11) **Do not lift, pull or lower the Nailer by the hose.**
- (12) **Do not disconnect air hose from Nailer with finger on Trigger.** The Nailer can fire when reconnected to An air supply.
- (13) **Handle Nailer correctly.** Operate the Nailer according to this Manual. Never allow the Nailer to be operated by children, individuals unfamiliar with its operation or unauthorized personnel.
- (14) **Never use Nailer for applications other than those specified in this manual.**
- (15) **Never modify or alter a Nailer.** Doing so may cause it to malfunction and personal injuries may result.
- (16) **Close Nail Guide and do not open it during operation.** If driving fasteners with the Nail Guide open, the fasteners can be driven away from the workpiece.

SAFETY—Continued

RESPONSIBILITIES OF EMPLOYER, TOOL OWNER AND TOOL OPERATOR

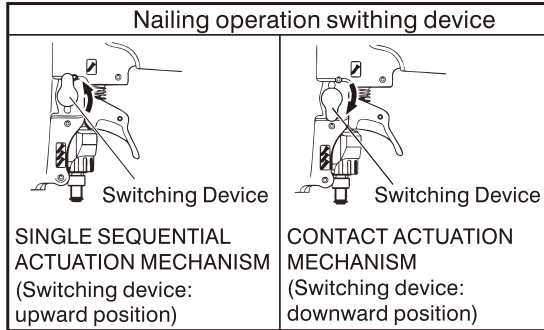
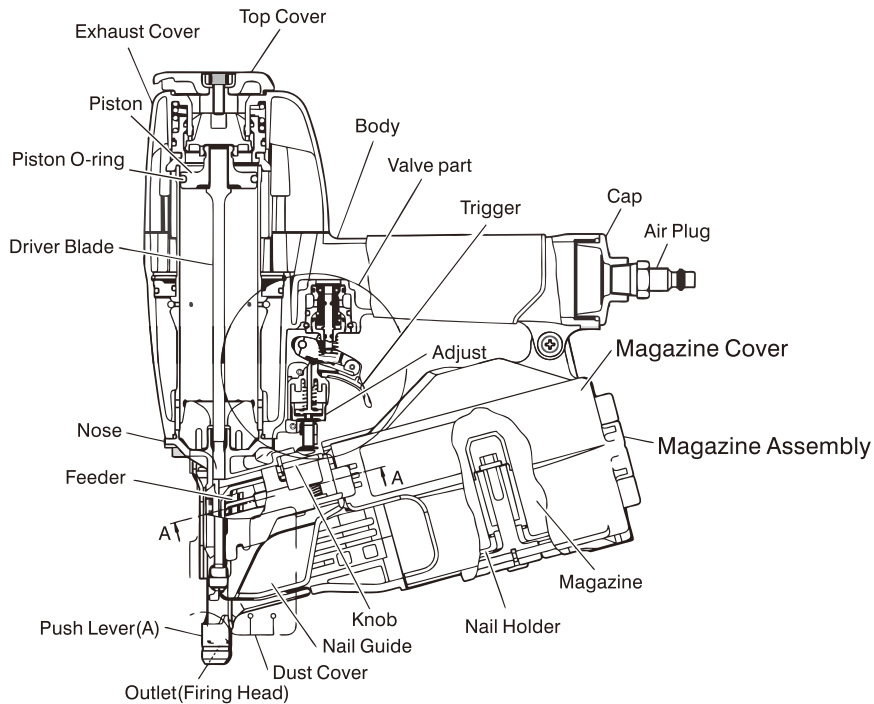
1. Ensure that this MANUAL is available to operators and personnel performing maintenance.
2. Train the operator in the safe use of the Nailer as described in this MANUAL.
3. Ensure that only persons who have read and understand this MANUAL operate the Nailer.
4. Ensure that Nailers are used only when operators and others in work area are wearing EYE PROTECTION and other appropriate personal protective equipment such as HEAD, HEARING, FOOT PROTECTION.
5. Enforce the use of EYE PROTECTION by operators and others in work area.
6. Ensure that Nailers are kept in safe working order as described in this MANUAL.
7. Maintain Nailers properly.
8. Ensure that only qualified personnel shall repair Nailers.
9. Ensure that Nailers that require repair are removed from service and that tags and physical segregation are used as a means of control.

**SAVE THIS MANUAL AND
KEEP IT AVAILABLE FOR OTHERS!**

OPERATION

NOTE: The information contained in this Manual is designed to assist you in the safe operation of the Nailer.
Some illustrations in this Manual may show details or attachments that differ from those on your own Nailer.

NAME OF PARTS



SPECIFICATIONS

Operating pressure	70-120psi(4.9-8.3bar)
Dimensions Length x Height x Width	11-27/64" × 11-13/16" × 5-1/8" (290mm × 300mm × 130mm)
Weight	4.9lbs(2.2kg)
Nail capacity	200-300nails
Air consumption	.049ft ³ /cycle at 100psi 1.4ltr/cycle at 6.9 bar)
Air inlet	3/8NPT

NAIL SELECTION

⚠ WARNING

● Only nails shown in the Table below can be driven with this Nailer.

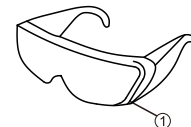
	Wire-collated coil nails		Plastic-collated coil nails	
	Min.	Max.	Min.	Max.
Wire-collated coil nails 	.209" (5.3mm)	.252" (6.4mm)	.209" (5.3mm)	.252" (6.4mm)
Plastic-collated coil nails 	1-1/2" (38mm) .090" (2.3mm)	2-1/2" (64mm) .099" (2.5mm)	1-1/2" (38mm) .090" (2.3mm)	2-1/4" (57mm) .099" (2.5mm)

ACCESSORIES

⚠ WARNING

● Accessories other than those shown below can lead to malfunction and resulting injuries.

STANDARD ACCESSORIES



① Eye protection.....1

APPLICATIONS

- Siding, fencing, decking
- Wall and roof sheathing
- Mobile home and modular housing construction
- Crate and pallet construction

NOTE: .099" x 2-1/2" (2.5 mm x 64 mm) nails cannot be driven in some case, depending on the material. Test driven in some of the nails first to check before using.

BEFORE OPERATION

Read section titled "SAFETY"

Make sure of the followings before operation.

WORKING ENVIRONMENT

⚠ WARNING

- No flammable gas, liquid or other flammable objects at worksite.
- Clear the area of children or unauthorized personnel.

AIR SUPPLY

⚠ WARNING



- NEVER use reactive gases or other bottled gases. Explosion may occur.

⚠ WARNING

- Never connect Nailer to pressure which potentially exceeds 200 psi (13.7 bar 14 kgf/cm²) if a regulator fails
- Never use non relieving coupler on Nailer

1. Power source

- Use only clean, dry, regulated compressed air as a power source for this Nailer.
- Air compressors used to supply compressed air to this Nailer must comply with the requirements of the latest version of ANSI Standard B 19.3 "Safety Standard For Compressors For Process Industries."
- Moisture or oil in the air compressor may accelerate wear and corrosion in the Nailer. Drain daily

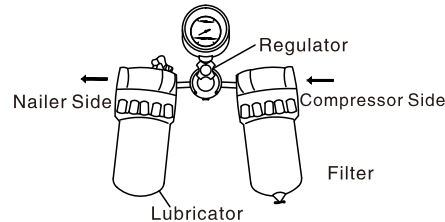
2. Filter-Regulator-Lubricator

- Use a regulator with a pressure range of 0-120 psi (0-8.3 bar)
- Filter-regulator-lubricator units supply an optimum condition for the Nailer and extend the Nailer life. These units should always be used

Filter..... The filter removes moisture and dirt mixed in compressed air. Drain daily unless fitted with an automatic drain. Keep the filter clean by regular maintenance.

Regulator... The regulator controls the operating pressure for safe operation of the Nailer. Inspect the regulator before operation to be sure it operates properly.

Lubricator... The lubricator supplies an oil mist to the Nailer. Inspect the lubricator before operation to be sure the supply of lubricant is adequate. Use pneumatic tool lubricant.



3. Air hose

Compressed air supply hoses shall have a minimum working pressure rating equal to or greater than the pressure from the power source if a regulator fails, or 150 psi (10.4 bar), whichever is greater.

4. Air consumption

Using the Air consumption table and the Air compressor size formula, find a correct compressor size.

Air consumption table.

Operating pressure	psi (bar)	80 (5.5)	90 (6.2)	100 (6.9)
air consumption	ft ³ /cycle (ltr/cycle)	.039 (1.1)	.042 (1.2)	.049 (1.4)

LUBRICATION

It is important that the Nailer be properly lubricants. Without proper lubrication, the Nailer will not work properly and parts will wear prematurely.

- Use pneumatic tool lubricant. Do not use detergent oil or additives. These lubricants will cause the Nailer to malfunction
- Filter-regulator-lubricator units should always be used. Keep the lubricator filled with pneumatic tool lubricant.

○ If a lubricator is not available supply 5-10 drops of pneumatic tool lubricant into the air plug on the Nailer twice a day.

COLD WEATHER CARE

- Do not store the Nailer in a cold weather environment. Keep the Nailer in a warm area until beginning the work.
- If the Nailer is already cold, bring it in a warm area and allow the Nailer to warm up before use.

① Reduce the air pressure to 64 psi (4.4 bar)

② Remove all nails from the Nailer.

③ Connect the air hose and free-fire (blank-fire) the Nailer. The lowered air pressure will be enough to free fire the Nailer. Slow speed operation tends to warm up the moving part.

⚠ CAUTION

- Do not free-fire the Nailer at high pressure.

TESTING THE NAILER

⚠ WARNING



- Operators and others in work area must wear safety glasses with side shields which conforms to ANSI Z87.1 specifications. Ordinary eyeglasses do not provide adequate protection.

⚠ WARNING

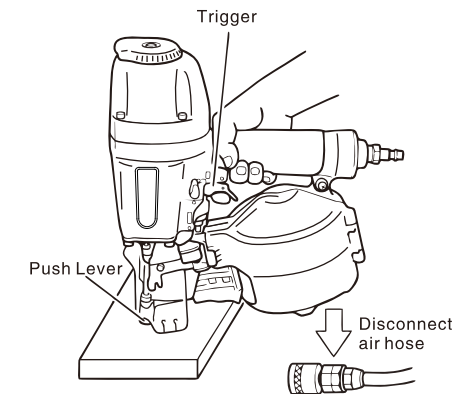
- Never use Nailer unless push lever is operating properly.

Before actually beginning the nailing work, test the Nailer by using the checklist below. Conduct the tests in the following order.

If abnormal operation occurs, stop using the Nailer and contact a authorized service center immediately

(1) DISCONNECT AIR HOSE FROM NAILER. REMOVE ALL NAILS FROM NAILER.

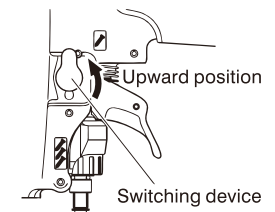
- ALL SCREWS MUST BE TIGHTENED. immediately. If any screws are loose, tighten them.
- THE PUSH LEVER AND TRIGGER MUST MOVE SMOOTHLY.



(2) Adjust the air pressure to 70 psi (4.9 bar). Connect the air hose.

Do not load any nails in the Nailer. Set the switching device to the upward position (to set to SINGLE SEQUENTIAL ACTUATION MECHANISM)

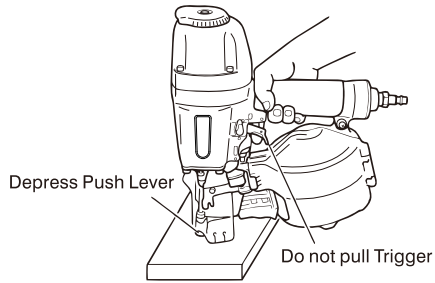
(Set the switching device to the upward position completely as shown in the diagram. Otherwise, it will not operate properly)



- THE NAILER MUST NOT LEAK AIR

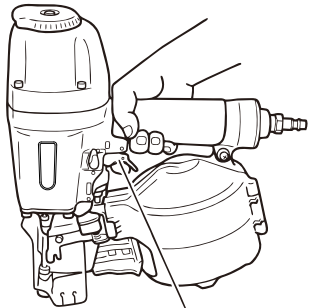
(3) Remove the finger from the trigger and press the push lever against the workpiece.

☐ THE NAILER MUST NOT OPERATE.



(4) Without touching the trigger, depress the push lever against the workpiece. Pull the trigger

☐ THE NAILER MUST NOT OPERATE.



Pull Trigger

(5) ① Without touching the trigger, depress the push lever against the workpiece. Pull the trigger.

☐ THE NAILER MUST OPERATE.

② Hold the trigger back while separating the push lever from the wood.

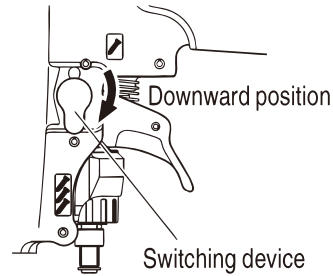
☐ THE NAILER WILL REMAIN IN OPERATED STATUS (THE DRIVER BLADE WILL REMAIN AT THE BOTTOM).

③ Remove the trigger back while separating the push lever from the wood.

☐ NAILER OPERATION WILL END (THE DRIVER BLADE WILL RETURN TO THE TOP).

(6) Set the switching device to the downward position (CONTACT ACTUATION MECHANISM)

(set the switching device to the downward position completely as shown in the diagram. otherwise, it will not operate properly.



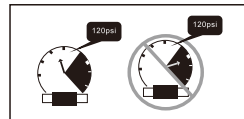
With the nailer off the workpiece, pull the trigger. Depress the push lever against the workpiece.

☐ THE NAILER MUST OPERATE.

(7) If no abnormal operation is observed, you may load nails in the nailer. Drive nails into the workpiece that is the same type to be used in the actual application.

☐ THE NAILER MUST OPERATE PROPERLY.

ADJUSTING AIR PRESSURE



● Do not exceed 120 psi (8.3 bars 8.5kgf/cm²)

Adjust the air pressure at recommended operating pressure 70–120 psi (4.9–8.3 bar 5–8.5 kgf/cm²) according to the length of nails and the hardness of workpiece.

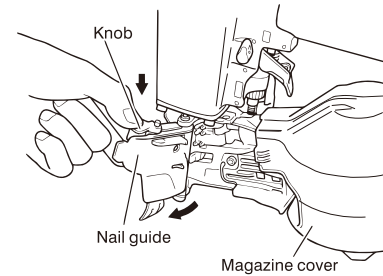
The correct air pressure is the lowest pressure which will do the job. Using the Nailer at a higher than required air pressure unnecessarily over stresses the Nailer.

LOADING NAILS

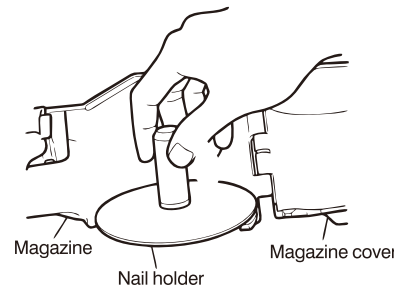


● When loading nails into Nailer,
1) Do not pull trigger;
2) Do not depress push lever; and
3) Keep Nailer pointed downward.

(1) Grip the nail guide and knob with finger. Press the knob down and swing the nail guide open. And open the magazine cover.



(2) Adjust the position of the nail holder according to the nail length. The nail will not feed smoothly if the nail holder is not correctly adjusted.



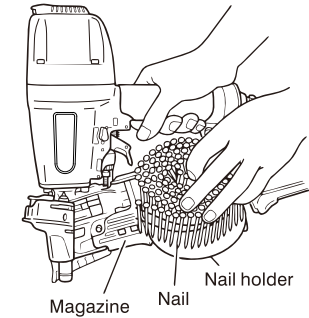
NOTE: Before loading nails in the magazine, adjust the plate. If the magazine cover is forcibly close without adjusting the plate correctly, the nail holder may be damaged.

① Turn the nail holder about 90 degrees counterclockwise.

② Side in vertical direction possible. Lift or lower the nail holder to accept different length nails.

③ Adjust the plate to the nail length reference points on the magazine cover and turn the nail holder 90 degrees clockwise until you hear "click".

(3) Place the nail coil into the magazine. Insert the first nail into the magazine opening.



(4) ① Uncoil enough nails to reach the driving hole.
② Insert the first nail into the driving hole and the second nail between the two pawls of the feeder.
③ Fit the nail heads in the guide slot.
④ Pulling the nails to the right, swing the nail guide closed.

(5) Close the magazine cover first and swing the nail guide closed.

(6) Lock the knob correctly.

NOTE:

Be careful not to deform the collated wires and not to disengage the nails with the guide surface. Otherwise, the nail guide will not close correctly.

NAILER OPERATION

Read section titled "SAFETY"



● Operators and others in work area MUST wear safety glasses with side shields which conforms to ANSI Z87.1 specifications. Ordinary eyeglasses do not protection.



● Only person who have read and understand this MANUAL should operate the Nailer.
● NEVER point tool at yourself or others in work area.

- keep fingers away from trigger when not driving nails to avoid accidental discharge.
- Know and understand what trigger system you are using please read and understand “methods of operation” below .

- Inspect the nailer before operating to determine actuation system.

Before starting work, check the nailing operation switching device.

This nailer includes a nailing operation switching device.

- before starting work, make sure that the switching device is properly set. if the switching device is not set properly, the nailer will not operate correctly.
- Never place your hands or body closer than 8 inches (200 mm) from firing head when using.
- Do not drive nails into other nails; nails can ricochet and hurt someone.
- Do not actuate Nailer unless Nailer is placed firmly against the workpiece.
- In order to avoid double fire or unwanted ejection of a nail due to bouncing of the Nailer

- 1) Do not push Nailer on workpiece with strong force;
 - 2) Take Nailer away from workpiece using 3) recoil;
- Release trigger quickly when performing trigger fire.

- When working close to an edge of a workpiece or at steep angles, or driving fasteners into thin workpiece use care to minimize chipping, splitting or splintering, or free flight, ricochet or piercing of fasteners, which may cause injury.

- Never drive nails from both sides of a wall at the same time. Nails can be driven into and through the wall and hit a person on the opposite side.

- Never use Nailer which is defective or operating abnormally.

- Do not use Nailer as hammer

- Disconnect air hose from Nailer when:

- 1) it is not in use;
- 2) leaving work area;
- 3) elevating, lowering or otherwise moving it to another location;
- 4) handing it to another person;
- 5) changing switching device;
- 6) performing any maintenance or repair;
- 7) clearing a jam;
- 8) Nailer is outside of the operator's supervision or control;
- 9) removing nails from the magazine;
- 10) adjusting nailing depth;
- 11) attaching or removing the nose cap; and
- 12) turning the top cover;

This nailer is equipped with a nailer operation switching device.

Use SINGLE SEQUENTIAL ACTUATION MECHANISM or CONTACT ACTUATION MECHANISM in accordance with the work to be performed.

Explanation of the various nailing operations

- SINGLE SEQUENTIAL ACTUATION MECHANISM: first, press the push lever against the wood; next, pull the trigger to drive the nail. After nailing nose, nailing will not be possible again until the trigger is released and pressed again.

- CONTACT ACTUATION MECHANISM : First, press the push lever against the wood; next, pull the trigger to drive the nail. Or,

pull the trigger; next, press the push lever against the wood to drive the nail.

If the trigger is held back, a nail will be driven each time the push lever is pressed against the wood.

NOTE: If you wish to fix the setting to the SINGLE SEQUENTIAL ACTUATION MECHANISM the SINGLE SEQUENTIAL ACTUATION MECHANISM KIT is also available as order part number 887916.

METHODS OF OPERATION

This Nailer is equipped with the push lever and does not operate unless the push lever is depressed (upward position).

There are two methods of operation to drive nails with this Nailer.

They are:

1. Intermittent operation (Trigger fire)
2. Continuous operation (Push lever fire):

- (1) Intermittent operation (Trigger fire) Use the SINGLE SEQUENTIAL ACTUATION MECHANISM setting

⚠ WARNING

- For intermittent operation, set the switching device to the upward position completely.(i.e. Set to SINGLE SEQUENTIAL ACTUATION MECHANISM.)

- To avoid double firing or accidental firing due to recoil.

- 1) Set the switching device to SINGLE SEQUENTIAL ACTUATION MECHANISM.
- 2) Pull the trigger rapidly and firmly.

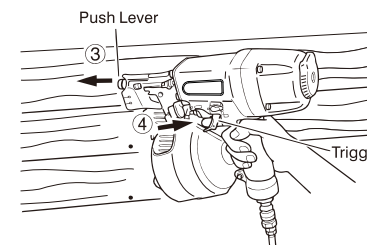
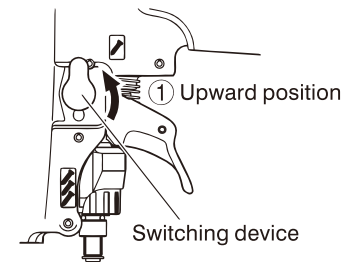
- ① To avoid double firing or accidental firing due to recoil.

Set the switching device to the upward position (to set to SINGLE SEQUENTIAL ACTUATION MECHANISM)

(Set the switching device to the upward position completely as shown in the diagram. Otherwise, it will be set to CONTACT ACTUATION MECHANISM.)

- ② Position the nail outlet on the workpiece with finger off the trigger.
- ③ Depress the push lever firmly until it is completely depressed.
- ④ Pull the trigger to drive a nail.
- ⑤ Pull the trigger to drive a nail.

To continue nailing in a separate location, move the nailer along the wood, repeating steps 2 -5 as required.



⚠ WARNING

- A nail will fire each time the trigger is depressed as long as the push lever remains depressed.

- (2) Continuous operation (Push lever fire) Using CONTACT ACTUATION MECHANISM

⚠ WARNING

- To avoid double firing or accidental firing due to recoil.

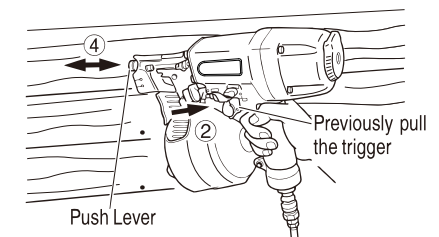
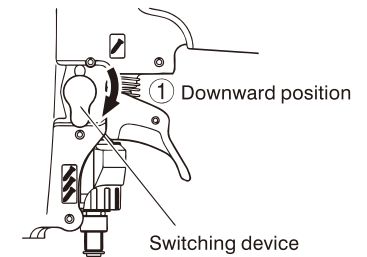
- 1) Do not press the nailer against the wood with excessive force.
- 2) Separate the nailer from the wood as it recoils after nailing.

- ① Set the switching device to the downward position (to set to CONTACT ACTUATION MECHANISM)

(Set the switching device to the downward position completely as shown in the diagram. Otherwise, it will not operate properly.)

- ② Pull the trigger with the Nailer off the workpiece.
- ③ Depress the push lever against the workpiece to drive a nail.
- ④ Move the Nailer along the workpiece with a bouncing motion. Each depression of the push lever will drive a nail.

As soon as the desired number of nails have been driven, remove finger from the trigger.



⚠ WARNING

- Keep your finger off the trigger except during fastening operation, because serious injury could result if the push lever accidentally contacts you or others in work area.

- Keep hands and body away from the discharge area. This nailer may bounce from the recoil of driving a fastener and unwanted subsequent fastener may be driven, possibly causing injury.

- Some types of loaded nails can spark out of the muzzle during a nail driving operation. Exercise caution!

The SINGLE SEQUENTIAL ACTUATION MECHANISM is for use where precision fastener placement is desired.

The SINGLE SEQUENTIAL ACTUATION MECHANISM may reduce the possibility of bodily injury to you or others in the work area compared to the CONTACT ACTUATION MECHANISM. **This is because it is less likely to drive an unwanted nail if you keep the trigger pulled and accidentally bump the push lever against yourself or others.**

The SINGLE SEQUENTIAL ACTUATION MECHANISM may also reduce the speed of operation compared to the CONTACT ACTUATION MECHANISM. The SINGLE SEQUENTIAL ACTUATION MECHANISM is recommended to inexperienced users.

NOTE:

- If all warnings and instructions are followed, safe operation is possible with two systems: SINGLE SEQUENTIAL ACTUATION MECHANISM and CONTACT ACTUATION MECHANISM.
- Always handle nails and package carefully. If nails are dropped, collating wire or sheet may be broken.
- After nailing:
 - 1) disconnect air hose from the Nailer;
 - 2) remove all nails from the Nailer;
 - 3) supply 5 - 10 drops of pneumatic tool lubricant into the air plug on the Nailer; and
 - 4) open the petcock on the air compressor tank to drain any moisture.

METHODS OF OPERATION

⚠ WARNING

- **Disconnect the air hose from the nailer before turning the adjuster.**

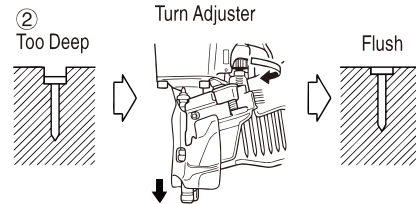
To assure that each nail penetrates to the same depth, be sure that:

- 1) the air pressure to the Nailer remains constant (regulator is installed and working properly), and
- 2) the Nailer is always held firmly against the workpiece.

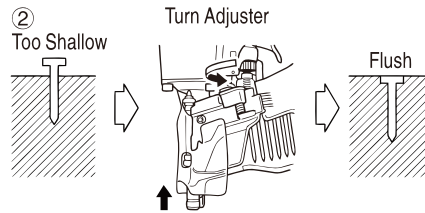
If nails are driven too deep or shallow into the workpiece, adjust the nailing in the following order.

- ① DISCONNECT AIR HOSE FROM NAILER

- ② If nails are driven too deep, turn the adjuster to the shallow side. Adjustments are in half-turn increments.



If nails are driven too shallow, turn the adjuster to the deep side.



- ③ Stop turning the adjuster when a suitable position is reached for a nailing test.
- ④ Connect the air hose. ALWAYS WEAR EYE PROTECTOR. Perform a nailing test.
- ⑤ DISCONNECT AIR HOSE FROM NAILER.
- ⑥ Choose a suitable position for the adjuster.

MAINTENANCE

NOTE: The information contained in this Manual is designed to assist you in the safe maintenance of the Nailer. Some illustrations in this Manual may show details or attachments that differ from those on your own Nailer.

MAINTENANCE AND INSPECTION

Read section titled "SAFETY"

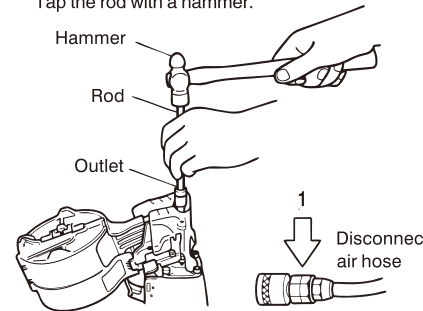
⚠ WARNING

- **Disconnect air hose and remove all nails from Nailer when:**
 - 1) **Doing maintenance and inspection;**
 - 2) **Clearing a jam.**

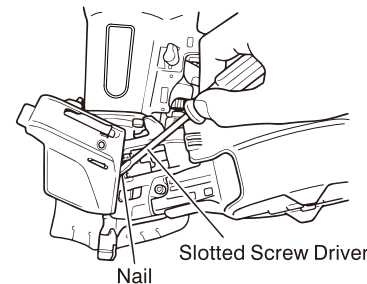
1. Clearing a jam

Remove a jammed nail in the following order

 - ① DISCONNECT AIR HOSE
 - ② Open the nail guide
 - ③ Insert a rod into the outlet. Tap the rod with a hammer.

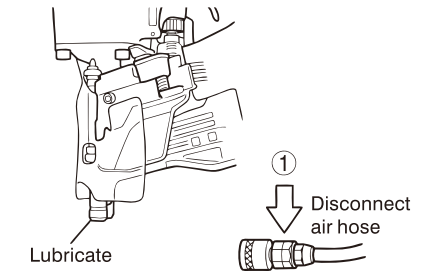


- ④ Remove the jammed nail with a slotted screw driver.

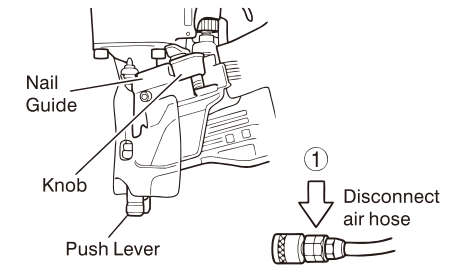


- ⑤ Cut the deformed collated wire with nippers. Correct the deformation.

2. Inspecting the push lever
 - ① DISCONNECT AIR HOSE.
 - ② Clean the push lever sliding part. Lubricate it with Pneumatic tool lubricant.



3. Inspecting the feeders
 - ① DISCONNECT AIR HOSE
 - ② Clean the knob sliding part. Lubricate it with Pneumatic tool lubricant.



- ③ Open the nail guide and remove dust. Lubricate the nose opening and feeder shaft.
- ④ Lubricate the feeding surfaces of the nose and the nail guide after cleaning. This promotes smooth operation and prevents rust.

⚠ CAUTION

- **Check that nail stopper (A) and nail stopper (B) slide smoothly by pushing them with finger. If not smooth, nails can be driven at an irregular angle and hurt someone.**

4. Inspecting the magazine

① DISCONNECT AIR HOSE

- ② Clean the magazine. Remove dust or wooden tips which may have accumulated in the magazine.

5. Storing

- When not in use for an extended period, apply a thin coat of the lubricant to the steel parts to avoid rust.
- Do not store the Nailer in a cold weather environment. Keep the Nailer in a warm area.
- When not in use, the Nailer should be stored in a warm and dry place. Keep out of reach children.

6. WARNING LABEL

Do not use the Nailer with missing or damaged WARNING LABEL. A new WARNING LABEL is available from a authorized service center.

7. Maintenance chart

8. Operator troubleshooting

9. Service parts list

⚠ CAUTION

- **Repair, modification and inspection of Power Tools must be carried out by a Authorized Service Center.**

This Parts List will be helpful if presented with the tool to the Authorized Service Center when requesting repair or other maintenance. In the operation and maintenance of power tools, the safety regulations and standards prescribed in each country must be observed.

MODIFICATIONS:

Power Tools are constantly being improved and modified to incorporate the latest technological advancements. Accordingly, some parts may be changed without prior notice.

SERVICE AND REPAIRS

⚠ WARNING

- **Only service personnel trained. distributor or employer shall repair the Nailer.**
- **Use only parts supplied or recommended repair.**

NOTE: Specifications are subject to change without any of wear from normal use.

Maintenance chart

ACTION	WHY	HOW
Drain air line filter daily.	Prevent accumulation of moisture and dirt.	Open manual petcock.
Keep lubricator filled.	Keep the Nailer lubricated.	Fill with pneumatic tool lubricant.
Clean filter element and blow air through filter in direction opposite to normal flow daily.	Prevent clogging of filter with dirt.	Follow manufacturer's instructions.
Clean magazine and feeder mechanism	Prevent a jam.	Blow clean daily.
Keep push lever working properly	Promote operator safety and efficient Nailer operation.	Blow clean daily.
Lubricate the Nailer after nailing	Extend the Nailer life.	Supply 5–10 drops of lubricant into the Nailer
Drain air compressor daily	Keep the Nailer operated properly.	Open petcock on air compressor tank

Operator troubleshooting.

Most minor problems can be resolved quickly and easily using the table below. If problems persist, contact a authorized service center for assistance.

PROBLEM	CHECK METHOD	CORRECTION
Nailer operates, but no nail is driven.	Open nail guide. Check for a jam	Clear a jam .
	Check function of feeder	Clean and lubricate.
	Check for proper nails	Use only recommended nails.
Weak drive. Slow to cycle	Check air pressure	Increase air pressure.(Do not exceed 120 psi (8.3bar 8.5 kgf/cm2)
	Check position of adjuster per _____	Readjust
	_____	Use pneumatic tool lubricant.
	Driver blade worn?	Replace
Drives too deep	Piston O–ring worn or damaged?	
	Check air pressure.	Reduce air pressure. (Adjust 70–120 psi) (4.9–8.3bar 5–8.5 kgf/m2)
Skipping nails. Intermittent feed.	Check position of adjuster	Readjust
	Check for proper nails	Use only recommended nails.
	Check function of feeder .	Clean and lubricate.
	_____	Use pneumatic tool lubricant.
Nails jam Driven nail is bent.	Check position of nail holder in magazine .	Adjust nail holder to proper position.
	Piston O–ring cut or heavily worn?	Replace
	Check for proper nails.	Use only recommended nails.
Drives properly during normal operation, but does not drive fully at faster nailing speeds.	Driver blade worn?	Replace
	Check inside diameter of air hose.	Use larger air hose.