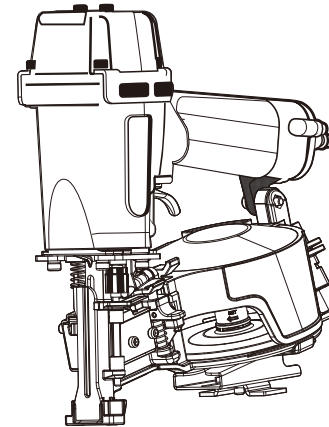


Instruction and safety manual

Model

CN45R

Pneumatic
Roofing
Coil nailer



⚠ DANGER

Improper use of this nailer can result in death or serious injury!
This Manual contains important information about product safety.
Read and understand this Manual before operating this Nailer.
Never allow anyone who has not reviewed this manual to use the tool.
This manual should be stored in safe place.

此页面不印刷

印刷要求:

1. 尺寸: A5;
2. 首页材质用157双铜纸, 内容页105双铜纸;
3. 黑白印刷

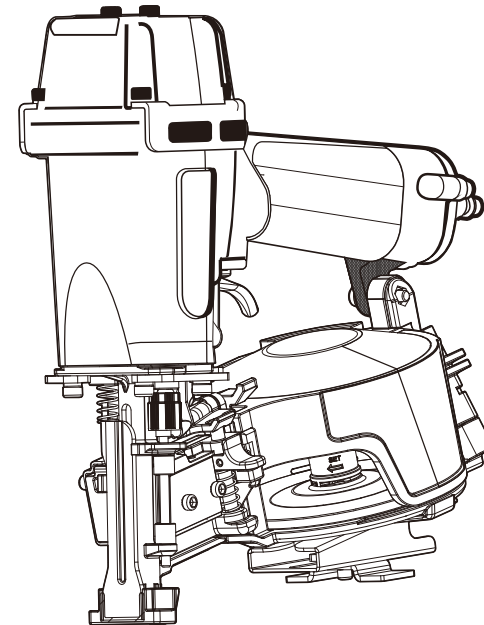
材料	157铜版纸+105铜版纸	比例	68%	视角				CN45R操作说明书 (中性/英文版)			
数量		重量		设计							
更改记录	A-2: 变更内容			制图	洗立萍	日	23.06.05	文件编号			
	A-3: 修改13页的lever、trigger英文单词			一审				图号			
	A-4: 修改8页的钉子尺寸			二审				版本/次		A-4	第 1 张
				三审							
	标记	处数	更改号	日期	签名	核准	广东美特机械有限公司				

Instruction and safety manual

Model

CN45R

Pneumatic
Roofing
Coil nailer



DANGER

Improper use of this nailer can result in death or serious injury!
This Manual contains important information about product safety.
Read and understand this Manual before operating this Nailer.
Never allow anyone who has not reviewed this manual to use the tool.
This manual should be stored in safe place.

CONTENTS

IMPORTANT SAFETY INFORMATION	2	APPLICATIONS	9
DEFINITIONS OF SINGAL WORDS	2	BEFORE OPERATION	9
EXPLANATION OF THE NAILING OF		— WORKING ENVIORMENT.....	9
— THE NAILER	2	— AIR SUPPLY	9
SAFETY		— LUBRICATION	10
IMPORTANT SAFETY INSTRUCTIONS—		— COLD WEATHER	10
— FOR USING NAILERS	3	— TESTING THE NAILER	10
RESPONSIBILITIES OF EMPLOYER TOOL		— ADJUSTING AIR PRESSURE	11
— OWNER AND TOOL OPERATOR	7	LOADING NAILS	11
OPERATION		NAILER OPERATION	13
NAME OF PARTS	7	— METHODS OF OPERATION	13
SPECIFICATIONS	8	— USING THE SHINGLE GUIDE	14
ACCESSORIES	8	— ADJUSTING THE NAILING DEPTH ..	14
— STANDARD ACCESSORIES	8	MAINTENANCE	
— OPTIONAL ACCESSORIES	9	MAINTENANCE AND INSPECTION	16
		SERVICE AND REPAIRS	18

IMPORTANT SAFETY INFORMATION



Read and understand tool labels and all of the operating instructions, safety precautions and warnings in this manual before operating or maintaining this Nailer. Failure to follow warnings could result in DEATH or SERIOUS INJURY

Most accidents that result from the operation and maintenance of Nailers are caused by the failure to observe basic safety rules or precautions. An accident can often be avoided by recognizing a potentially hazardous situation before it occurs, and by observing appropriate safety procedures.

Basic safety precautions are outlined in the "SAFETY" section of this Manual and in the sections which contain the operation and maintenance instructions

Hazards that must be avoided to prevent bodily injury or machine damage are identified by DANGERS and WARNINGS on the Nailer and in this Manual

NEVER use this Nailer for applications other than those specified in this Manual

DEFINITIONS OF SIGNAL WORDS

DANGER indicates an imminently hazardous situation which, if not avoided, will result in death or serious injury

WARNING indicates a potentially hazardous situation which, if not avoided, could result in death or serious injury

CAUTION indicates a potentially hazardous situation which, if not avoided, may result in minor or moderate injury, or may cause machine damage.

NOTE emphasizes essential information.

EXPLANATION OF THE NAILING ACTION OF THE NAILER

○ CONTACT ACTUATION MECHANISM:

First, press the push lever against the wood; next, pull the trigger to drive the fastener.

First, pull the trigger; ne xt, press the push lever against the wood to drive the fastener.

If the Trigger is held back, a nail will be driven each time the Push Lever is pressed against the wood.

SAFETY

IMPORTANT SAFETY INFORMATION

INSTRUCTIONS PERTAINING TO A RISK OF FIRE, ELECTRIC SHOCK, OR INJURY TO PERSONS

● General

To reduce the risks of electric shock, fire, and injury to persons, **READ ALL THE INSTRUCTIONS BEFORE USING THE TOOL.**

⚠ DANGER

1. OPERATORS AND OTHERS IN WORK AREA MUST WEAR EYE PROTECTION (SAFETY GLASSES WITH SIDE SHIELDS).



When operating the Nailer, always wear Safety glasses with side shields, and make sure others in work area wear safety glasses, too.

Safety glasses must conform to the Requirements of American National Standards institute, ANSI Z87.1 and provide protection against flying particles both from the front and side. Ordinary eyeglasses do not provide adequate protection .

The employer must enforce the use of Safety glasses by the Nailer operator and others in work area.



2. NEVER USE REACTIVE GASES OR OTHER BOTTLED GASES. EXPLOSION MAY OCCUR.

Never use reactive gasses such as oxygen, combustible gases or any other bottled gases as a power source for the Nailer.

Use of the above gasses is dangerous, as the Nailer will explode.

Use only clean, dry, regulated compressed air.

⚠ WARNING

3. NEVER POINT TOOL AT YOURSELF OR OTHERS IN WORK AREA.



Always assume that the Nailer contains fasteners

Never point the Nailer toward yourself or others, whether it contains fasteners or not.

If fasteners are mistakenly driven, it can lead to severe injuries.

Respect the Nailer as a working implement

4. DO NOT PLACE FINGER ON TRIGGER AND KEEP FINGERS AWAY FROM TRIGGER WHEN NOT DRIVING FASTENERS TO AVOID ACCIDENTAL DISCHARGE.

Never carry the Nailer with finger on Trigger since you could drive a fastener unintentionally and injure yourself or someone else.

Always carry the Nailer by the handle only.

5. KNOW AND UNDERSTAND WHAT TRIGGER SYSTEM YOU ARE USING.

Read and understand section titled "METHODS OF OPERATION ."

6. DO NOT MAKE CONTACT WITH SAFETY TIP (PUSH LEVER) WHEN NOT DRIVING FASTENERS.

SAFETY—Continued

⚠ WARNING

1. Work area

- (1) **Keep the work area clean and well lit.**
Cluttered benches and dark areas increase the risks of electric shock, fire, and injury to persons
- (2) **Do not operate the Nailer in explosive atmospheres, such as in the presence of flammable liquids, gases, or combustible dust.**
The Nailer is able to create sparks resulting in the ignition of the dust or fumes
- (3) **Keep bystanders, children, and visitors away while operating the Nailer.** Distractions are able to result in the loss of control of the Nailer.

2. Personal safety

- (1) **Stay alert. Focus on your work and use common sense when working with the Nailer. Do not use the Nailer while tired, after having consumed drugs or alcohol, or while under the influence of medication.**
A moment of inattention while operating the Nailer increases the risk of injury to persons.
- (2) **Dress properly. Do not wear loose clothing or jewelry. Contain long hair. Keep hair, clothing, and gloves away from moving parts.**
Loose clothes, jewelry, or long hair increases the risk of injury to persons as a result of being caught in moving parts.
- (3) **Avoid unintentional starting. Be sure the switch is off before connecting to the air supply.**
Do not carry the Nailer with your finger on the switch or connect the Nailer to the air supply with the switch on.

- (4) **⚠ WARNING** – **Disconnect the Nailer from the air source before making adjustments, doing Nailer maintenance, clearing jams, touching the Push Lever, when not in use, leaving work area, Leaving the Nailer outside of the operator's supervision or control, loading, or unloading the Nailer, Handing it to another person, elevating, lowering or otherwise moving the Nailer to a new location.** Never attempt to clear a jam or repair the Nailer unless you have disconnected air hose from the Nailer and removed all remaining fasteners from the Nailer. The Nailer should never be left unattended since people who are not familiar with the Nailer might handle it and injure themselves.

Such precautionary measures reduce the risk of injury to persons.

- (5) **Do not overreach. Keep proper footing and balance at all times.** Proper footing and balance enables better control of the Nailer in unexpected situations.
- (6) **Use safety equipment.** A dust mask, non-skid safety shoes and a hard hat must be used for the applicable conditions
- (7) **⚠ WARNING** – **Risk of hearing loss. Wear hearing protection.**
Hearing protection shall have a Noise Reduction Rating (NRR) determined in accordance with US Environmental Protection Agency rules that is appropriate for noise exposure.
- (8) **Always wear head protection. Always wear head protection to protect your head from flying objects.**
- (9) **Do not attach the hose or Nailer to your body.** Attach the hose to the structure to reduce the risk of loss of balance if the hose shifts.
- (10) **⚠ WARNING** – **Drive Nails into proper work surface only.** Do not drive nail into other nails. This is able to cause the fastener to be deflected and hit someone, or cause the Nailer to react and result in a risk of injury to persons.

3. Nailer use and care

- (1) **Use clamps or another practical way to secure and support the workpiece to a stable platform.**
Holding the work by hand or against the body is unstable and is able to lead to loss of control.
- (2) **Do not force the Nailer.** Use the correct Nailer for the application. The correct Nailer will do the job better and safer at the rate for which the Nailer is designed.
- (3) **Do not use the Nailer if the switch does not turn the Nailer on or off.** Any Nailer that cannot be controlled with the switch is dangerous and must be repaired.
Never use Nailer which is defective or operating abnormally. If the Nailer appears to be operating unusually, making strange noises, or otherwise appears defective, stop using it immediately and arrange for repairs by a authorized service center.

SAFETY—Continued

⚠ WARNING

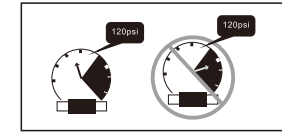
- (4) **Disconnect the Nailer from the air source before making any adjustments, changing accessories, or storing the Nailer.** Such preventive safety measures reduce the risk of starting the Nailer unintentionally.
- (5) **Store the Nailer when it is idle out of reach of children and other untrained persons.** A Nailer is dangerous in the hands of untrained users.
- (6) **Maintain the Nailer with care.** Keep the Nailer Clean and lubricated for better and safer performance.
- (7) **Check for misalignment or binding of moving parts, breakage of parts, and any other condition that may affect the Nailer's operation.**
If damaged, have the Nailer serviced before using. Because of high air pressure in the Nailer, cracks in the Surface are dangerous. To avoid this, do not drop the Nailer or strike the Nailer against hard surfaces and do not scratch or engrave signs on the Nailer. Many accidents are caused by poorly maintained Nailers. There is a risk of bursting if the Nailer is damaged.
- (8) **Do not use the Nailer that is not in proper working order. Tags and physical segregation shall be used for control.**
- (9) **Use only accessories that are for the specific Nailer.** Use of an accessory not intend for use with the Nailer are able to result in a risk of injury to persons or Nailer damage when used in this Nailer.

4. Service

- (1) **Tool service must be performed only by qualified repair personnel.**
- (2) **When servicing a Nailer, use only identical replacement parts. Use only authorized parts.**
- (3) **Use only the lubricants supplied with the Nailer or specified by manufacturer.**

5. Air source

- (1) **Never connect to an air source that is capable of exceeding 200 psi (13.7 bar 14 kgf/cm²) if regulator fails.**
Over pressurizing the Nailer or serious injury to persons.



DO NOT EXCEED 120psi (8.3bar 8.5 kg-cm²)

Use only clean, dry, regulated compressed air at the rated pressure or within the rated pressure range as marked on the Nailer. Always verify prior to using the Nailer that the air source has been adjusted to the rated air pressure or within the Rated air-pressure range.

- (2) **Never use reactive gases such as oxygen, carbon dioxide, combustible gases or any bottled gas as an air source for the Nailer. Such gases are capable of explosion and serious injury to persons.**
- (6) **Others**
Be careful of double fire and being hit by the Nailer due to spring back ("recoil").
After driving a nail, the Nailer may recoil causing it to move away from the work surface.
To reduce risk of injury always manage recoil by:
 - 1) Always maintaining control of the Nailer.
 - 2) Allowing recoil to move the Nailer away from work surface.
 - 3) Not resisting recoil such that the Nailer away from work surface. In "CONTACT ACTUATION MECHANISM", if push lever is allowed to re-contact work surface before the trigger is released, an unintended discharge of a nail will occur. In order to avoid this undesirable double fire,
 - ① Intermittent operation(Trigger fire).
 - ① Pull the trigger rapidly and firmly.
 - ② Release the trigger QUICKLY.

SAFETY—Continued

⚠ WARNING

- Continuous operation (Push lever fire)
 - ① Do not press the Nailer against the wood with excessive force.
 - ② Separate the Nailer from the wood as it recoils after nailing.
- 4) keeping face and body parts away from the Nailer.
- (2) **Never Use NON relieving coupler on Nailer.** If a non relieving coupler is used on the Nailer, the Nailer can remain charged with air after disconnecting and thus will be able to drive a fastener even after disconnecting. The Nailer and air hose must have a hose coupling such that all pressure is removed from the Nailer when the coupling joint is disconnected.
- (3) **Check Push Lever before use.** Make sure the Push Lever operates properly, and is not inoperable, disconnected, or altered. (The Push Lever may be called "Safety".) Never use the Nailer unless the Push Lever is operating properly, otherwise the Nailer could drive a fastener unexpectedly. Do not tamper with or remove the Push Lever, or otherwise cause the Push Lever to become inoperable.
- (4) **Keep all screws and covers tightly in place.** Keep all screws and covers tightly mounted. Check their condition periodically. Never use the Nailer if parts are missing or damaged.
- (5) **Do not load fasteners with Trigger or Push Lever depressed.** When loading fasteners into the Nailer or when connecting the air hose.
 - 1) Do not depress the Trigger;
 - 2) Do not depress the Push Lever; and
 - 3) Keep the Nailer pointed downward
- (6) **Keep hands and body away from firing head during use.** Never place your hands or feet closer than 8 inches (200 mm) from the firing head. A serious injury can result if the fasteners are deflected by the workpiece, or are driven away from the point of entry.
- (7) **When working close to an edge of a workpiece or at steep angles, or driving fasteners into thin workpiece use care to minimize chipping, splitting or splintering, or free flight, ricochet or piercing of fasteners, which may cause injury.**
- (8) **Never drive fasteners from both sides of a wall at the same time.** The fasteners can be driven into and through the wall and hit a person on the opposite side.
- (9) **Use extra caution when driving the Nailer into existing walls or other blind areas to prevent contact with hidden objects or persons on other side (eg., wires, pipes).**
- (10) **Check for live wires.** Avoid the risk of severe electrical shock by checking for live electrical wires that may be hidden by walls, floors or ceilings. Turn off the breaker switch to ensure there are no live.
- (11) **Do not lift, pull or lower the Nailer by the hose.**
- (12) **Do not disconnect air hose from Nailer with finger on Trigger.** The Nailer can fire when reconnected to an air supply.
- (13) **Handle Nailer correctly.** Operate the Nailer according to this Manual. Never allow the Nailer to be operated by children, individuals unfamiliar with its operation or unauthorized personnel.
- (14) **Never use Nailer for applications other than those specified in this manual.**
- (15) **Never modify or alter a Nailer.** Doing so may cause it to malfunction and personal injuries may result.
- (16) **Close Nail Guide and do not open it during operation.** If driving fasteners with the Nail Guide open, the fasteners can be driven away from the workpiece.

SAFETY—Continued

RESPONSIBILITIES OF EMPLOYER, TOOL OWNER AND TOOL OPERATOR

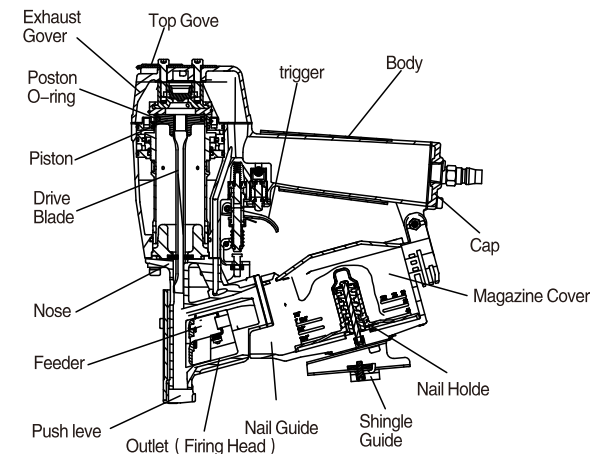
1. Ensure that this MANUAL is available to operators and personnel performing maintenance.
2. Train the operator in the safe use of the Nailer as described in this MANUAL.
3. Ensure that only persons who have read and understand this MANUAL operate the Nailer.
4. Ensure that Nailers are used only when operators and others in work area are wearing EYE PROTECTION and other appropriate personal protective equipment such as HEAD, HEARING, FOOT PROTECTION.
5. Enforce the use of EYE PROTECTION by operators and others in work area.
6. Ensure that Nailers are kept in safe working order as described in this MANUAL.
7. Maintain Nailers properly.
8. Ensure that only qualified personnel shall repair Nailers.
9. Ensure that Nailers that require repair are removed from service and that tags and physical segregation are used as a means of control.

**SAVE THIS MANUAL AND
KEEP IT AVAILABLE FOR OTHERS!**

OPERATION

NOTE: The information contained in this Manual is designed to assist you in the safe operation of the Nailer. Some illustrations in this Manual may show details or attachments that differ from those on your own Nailer.

NAME OF PARTS



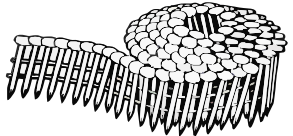
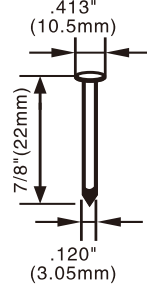
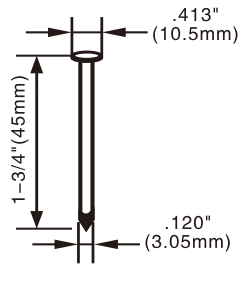
SPECIFICATIONS

Operating pressure	70–120psi(4.9–8.3bar 5–8.5kgf/cm ²)
Dimensions Length x Height x Width	9–27/32 " × 10–3/8 " × 4–5/8 " (250mm × 264mm × 117mm)
Weight	5.7lbs (2.6kg)
Nail capacity	120nails(1 coil)
Air consumption	.046ft ³ /cycle at 100psi 1.3ltr/cycle at 6.9 bar (1.3ltr/cycle at 7kgf/cm ²)
Air inlet	3/8NPT Thread

NAIL SELECTION

⚠ WARNING

- Only nails shown in the Table below can be driven with this Nailer.

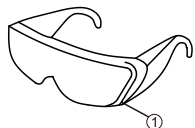
Wire-collated coil nails.	Min.	Max.
		

ACCESSORIES

⚠ WARNING

- Accessories other than those shown below can lead to malfunction and resulting injuries.

STANDARD ACCESSORIES



① Eye protection.....1

NOTE: Accessories are subject to change without any obligation on the part of manufacturer.

APPLICATIONS

- Installation of asphalt roofing shingles in building construction.
- Installation of insulation boards in building construction

BEFORE OPERATION

Read section titled "SAFETY"

Make sure of the followings before operation.

WORKING ENVIRONMENT

⚠ WARNING

- No flammable gas, liquid or other flammable objects at worksite.
- Clear the area of children or unauthorized personnel.

AIR SUPPLY

⚠ WARNING



- NEVER use reactive gases or other bottled gases. Explosion may occur.

⚠ WARNING

- Never connect Nailer to pressure which potentially exceeds 200 psi(13.7 bar 14 kgf/cm²) if a regulator fails
- Never use non relieving coupler on Nailer

1. Power source

- Use only clean, dry, regulated compressed air as a power source for this Nailer.
- Air compressors used to supply compressed air to this Nailer must comply with the requirements of the latest version of ANSI Standard B 19.3 "Safety Standard For Compressors For Process Industries."
- Moisture or oil in the air compressor may accelerate wear and corrosion in the Nailer.
Drain daily

2. Filter–Regulator–Lubricator

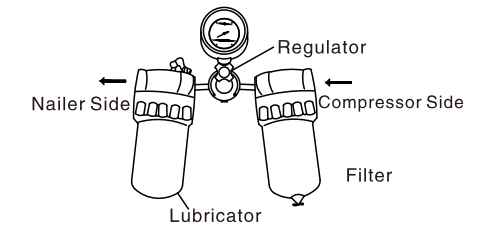
- Use a regulator with a pressure range of 0–120 psi (0–8.3 bar 0–8.5 kgf/cm²)

- Filter–regulator–lubricator units supply an optimum condition for the Nailer and extend the Nailer life. These units should always be used

Filter..... The filter removes moisture and dirt mixed in compressed air.
Drain daily unless fitted with an automatic drain.
Keep the filter clean by regular maintenance.

Regulator... The regulator controls the operating pressure for safe operation of the Nailer. Inspect the regulator before operation to be sure it operates properly.

Lubricator... The lubricator supplies an oil mist to the Nailer.
Inspect the lubricator before operation to be sure the supply of lubricant is adequate.
Use pneumatic tool lubricant.



3. Air hose

Compressed air supply hoses shall have a minimum working pressure rating equal to or greater than the pressure from the power source if a regulator fails, or 150 psi (10.4 bar 10.6 kgf/cm²), whichever is greater.

LUBRICATION

It is important that the Nailer be properly lubricants. Without proper lubrication, the Nailer will not work properly and parts will wear prematurely.

- Use pneumatic tool lubricant
Do not use detergent oil or additives. These lubricants will cause the Nailer to malfunction
- Filter–regulator–lubricator units should always be used.
Keep the lubricator filled with pneumatic tool lubricant.
- If a lubricator is not available supply 5–10 drops of pneumatic tool lubricant into the air plug on the Nailer twice a day.

COLD WEATHER CARE

- Do not store the Nailer in a cold weather environment.
Keep the Nailer in a warm area until beginning the work.
- If the Nailer is already cold, bring it in a warm area and allow the Nailer to warm up before use.

- ① Reduce the air pressure to 64 psi (4.4 bar 4.5 kgf/cm²)
- ② Remove all nails from the Nailer.
- ③ Connect the air hose and free–fire (blank–fire) the Nailer.
The lowered air pressure will be enough to free fire the Nailer.
Slow speed operation tends to warm up the moving part.

⚠ CAUTION

- Do not free–fire the Nailer at high pressure.

TESTING THE NAILER

⚠ WARNING



- Operators and others in work area must wear safety glasses with side shields which conforms to ANSI Z87.1 specifications.
Ordinary eyeglasses do not provide adequate protection.

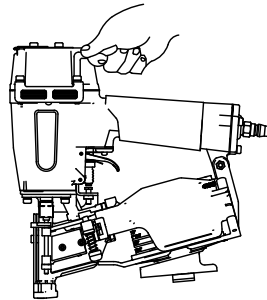
⚠ WARNING

- Never use Nailer unless push lever is operating properly.

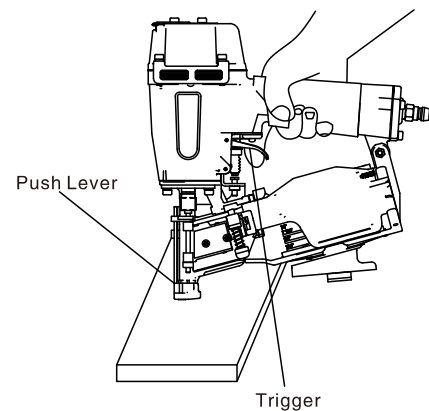
Before actually beginning the nailing work, test the Nailer by using the checklist below. Conduct the tests in the following order.
If abnormal operation occurs, stop using the Nailer and contact a authorized service center immediately

- (1) DISCONNECT AIR HOSE FROM NAILER.
REMOVE ALL NAILS FROM NAILER.

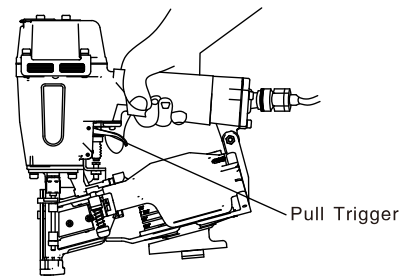
- ALL SCREWS MUST BE TIGHTENED.
immediately
If any screws are loose, tighten them.



- THE PUSH LEVER AND TRIGGER MUST MOVE SMOOTHLY.

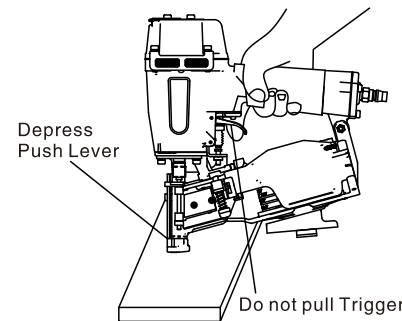


- (2) Adjust the air pressure to 70 psi (4.9 bar 5 kgf/cm²).
Connect the air hose.
Do not load any nails in the Nailer.
- THE NAILER MUST NOT LEAK AIR.
Hold the Nailer downward and pull the trigger.
 - THE NAILER MUST NOT OPERATE.



- (3) Remove the finger from the trigger and press the push lever against the workpiece.

- THE NAILER MUST NOT OPERATE.



- (4) Without touching the trigger, depress the push lever against the workpiece.
Pull the trigger

- THE NAILER MUST NOT OPERATE.

- (5) With the Nailer off the workpiece, pull the trigger.
Depress the push lever against the workpiece.

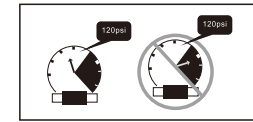
- THE NAILER MUST OPERATE.

- (6) If no abnormal operation is observed, you may load nails in the Nailer.
Drive nails into the workpiece that is the same type to be used in the actual application.

- THE NAILER MUST OPERATE PROPERLY.

ADJUSTING AIR PRESSURE

⚠ WARNING



- Do not exceed 120 psi (8.3 bars 8.5 kgf/cm²)

Adjust the air pressure at recommended operating pressure 70–120 psi (4.9–8.3 bar 5–8.5 kgf/cm²) according to the length of nails and the hardness of workpiece.

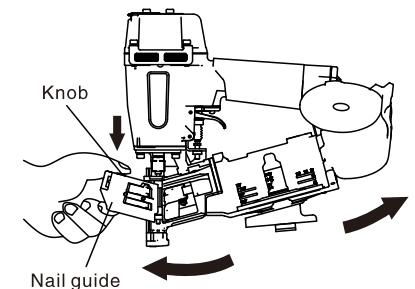
The correct air pressure is the lowest pressure which will do the job. Using the Nailer at a higher than required air pressure unnecessarily over stresses the Nailer.

LOADING NAILS

⚠ WARNING

- When loading nails into Nailer,
1) Do not pull trigger;
2) Do not depress push lever; and
3) Keep Nailer pointed downward.

- (1) Grip the nail guide and knob with finger.
Press the knob down and swing the nail guide open.
And open the magazine cover.

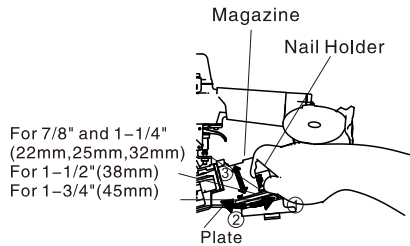


- (2) Adjust the position of the nail holder according to the nail length.

The nail will not feed smoothly if the nail holder is not correctly adjusted.

- ① Turn the nail holder about 90 degrees counterclockwise.
- ② Move the nail holder up and down to align the plate of the nail holder with a mark on the magazine in accordance with the length of the nails being used.

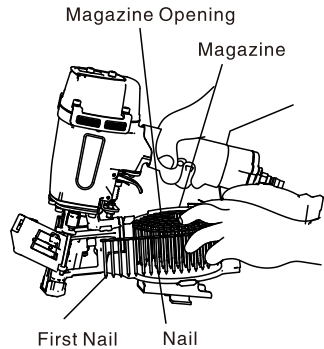
- ③ Turn the nail holder 90 degrees clockwise until you hear "click".



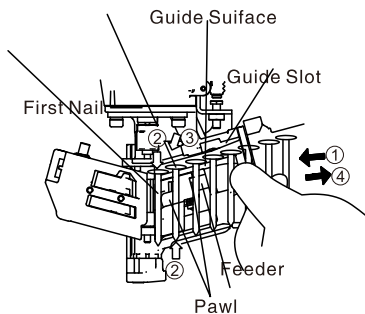
NOTE:

Before loading nails in the magazine, adjust the nail holder. If the magazine cover is forcibly closed without adjusting the nail holder correctly, the nail holder may be damaged.

- (3) Place the nail coil into the magazine. Insert the first nail into the magazine opening.



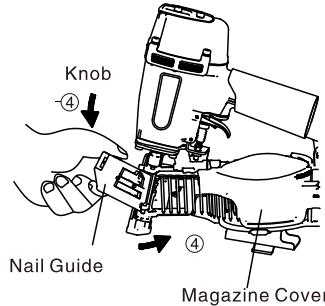
- (4) Close the magazine cover
- (5) ① Uncoil enough nails to reach the driving hole.
② Insert the first nail into the driving hole and the second nail between the two pawls of the feeder.
③ Fit the nail heads in the guide slot.



NOTE:

Be careful not to deform the collated wires and not to disengage the nails with the guide surface. Otherwise, the nail guide will not close correctly.

- ④ Pulling the nails to the right. After checking and making sure that the magazine cover is closed, hook your fingers on the nail guide and knob, turn the nail guide clockwise while pressing the knob downward, and then close the nail guide completely.



- Lock the knob completely.
- (6) The Nailer is now ready to operate.

WARNING



- Operators and others in work area **MUST** wear safety glasses with side shields which conforms to ANSI Z87.1 specifications. Ordinary eyeglasses do not protection.

WARNING



- Only person who have read and understand this **MANUAL** should operate the Nailer.
- **NEVER** point tool at yourself or others in work area.

- Keep fingers **AWAY** from trigger when not driving nails to avoid accidental discharge.
- Know and understand what trigger system you are using. Please read and understand "Methods of Operation" below.

- Never place your hands or body closer than 8 inches (200 mm) from firing head when using.
- Do not drive nails into other nails; nails can ricochet and hurt someone.
- Do not actuate Nailer unless Nailer is placed firmly against the workpiece.
- In order to avoid double fire or unwanted ejection of a nail due to bouncing of the Nailer

- 1) Do not push Nailer on workpiece with strong force;
2) Take Nailer away from workpiece using 3) recoil;
Release trigger quickly when performing trigger fire.

- When working close to an edge of a workpiece or at steep angles, or driving fasteners into thin workpiece use care to minimize chipping, splitting or splintering, or free flight, ricochet or piercing of fasteners, which may cause injury.

- Never drive nails from both sides of a wall at the same time. Nails can be driven into and through the wall and hit a person on the opposite side.

- Never use Nailer which is defective or operating abnormally.

- Do not use Nailer as hammer

- Disconnect air hose from Nailer when:

- 1) it is not in use;
- 2) leaving work area;
- 3) elevating, lowering or otherwise moving it to another location;
- 4) handing it to another person;
- 5) performing any maintenance or
- 6) repairs; clearing a jam;
- 7) Nailer is outside of the operator's supervision or control;
- 8) supervision or control;
- 9) adjusting nailing depth.

This Nailer has a STANDARD CONTACT TRIP MECHANISM (BOUNCE FIRE). An OPTIONAL SEQUENTIAL MECHANISM (SINGLE FIRE) is available.

THE STANDARD CONTACT TBIP MECHANISM (Bounce Fire) is for use where rapid fastener placement is desired and must be operated in accordance with the following "METHODS OF OPERATION".

NOTE:

Be careful that the final nail can be dropped or driven at an irregular angle.

NAILER OPERATION

METHODS OF OPERATION

This Nailer is equipped with the push lever and does not operate unless the push lever is depressed (upward position).

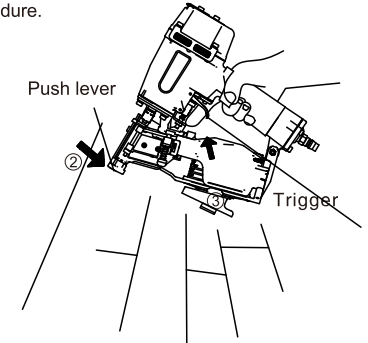
There are two methods of operation to drive nails with this Nailer.

They are:

1. Intermittent operation (Trigger fire)
2. Continuous operation (Push lever fire):

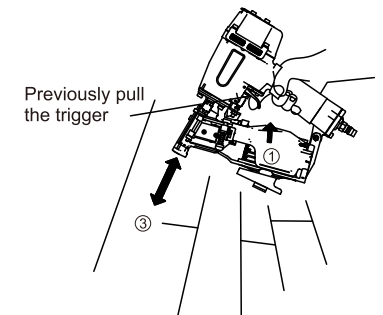
- (1) Intermittent operation (Trigger fire)
- ① Position the nail outlet on the workpiece with finger off the trigger.
 - ② Depress the push lever firmly until it is completely depressed.
 - ③ Pull the trigger to drive a nail.
 - ④ Remove finger from the trigger.

To drive another nail, move the Nailer along the workpiece, repeating steps ①-④ as required procedure.



- (2) Continuous operation (Push lever fire)
- ① Pull the trigger with the Nailer off the workpiece.
 - ② Depress the push lever against the workpiece to drive a nail.
 - ③ Move the Nailer along the workpiece with a bouncing motion. Each depression of the push lever will drive a nail

As soon as the desired number of nails have been driven, remove finger from the trigger.



⚠ WARNING

- **Keep your finger off the trigger except during fastening operation, because serious injury could result if the push lever accidentally contacts you or others in work area.**
- **Keep hands and body away from the discharge area. This Nailer may bounce from the recoil of driving a fastener and unwanted subsequent fastener may be driven, possibly causing injury.**
- **Some types of loaded nails can spark out of the muzzle during a nail driving operation. Exercise caution!**

THE OPTIONAL SEQUENTIAL TRIP MECHANISM (SINGLE FIRE) is for use where precision fastener placement is desired and must be operated in accordance with the following "Method of Operation"

You must first depress the push lever (upward position) where you want to drive a nail and then pull the trigger. After the each nail is driven, completely release the trigger and lift the tool off bodily injury to you or others in the work surface. An OPTIONAL SEQUENTIAL TRIP MECHANISM may reduce the possibility of bodily injury to you or others in the work area. This is because it is less likely to drive an unwanted nail if you keep the trigger pilled and accidentally bump the push lever against yourself or others. An OPTIONAL SEQUENTIAL TRIP MECHANISM may also reduce the speed of operation compared to the standard contact trip mechanism.

NOTE:

- Both STANDARD CONTACT TRIP MECHANISM and OPTIONAL SEQUENTIAL TRIP MECHANISM are safe if used as described above and according to all warnings and instructions.
- Always handle nails and package carefully. If nails are dropped, collating wire may be damaged and cut, which will cause mis-feeding and jamming.
- After nailing:
 - 1) disconnect air hose from the Nailer;
 - 2) remove all nails from the Nailer;
 - 3) supply 5-10 drops of pneumatic tool lubricant into the air plug on the Nailer; and
 - 4) open the petcock on the air compressor tank to drain any moisture.

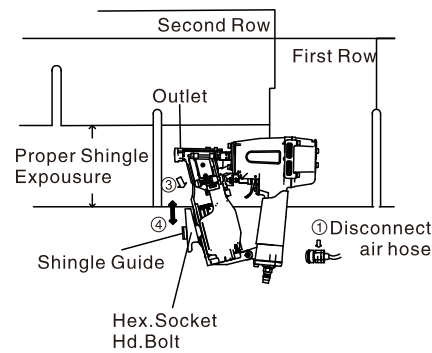
USING THE SHINGLE GUIDE

The shingle guide can be used to control shingle spacing.

Adjust the shingle guide in the following order.

- ① DISCONNECT AIR HOSE FROM NAILER
- ② Loosen the hex. socket hd. bolt with the accessory Allen wrench.

- ③ Place the shingle guide against the bottom of the first row of shingles.
- ④ Adjust the distance between the outlet and the shingle guide to the proper shingle exposure by sliding the shingle guide.
- ⑤ Tighten the hex. socket hd. bolt.



NOTE:

- The proper shingle exposure will depend on the type of shingle and the manufacturer's specifications.
- The shingle guide is not to be utilized as an indicator of nail location.

ADJUSTING THE NAILING DEPTH

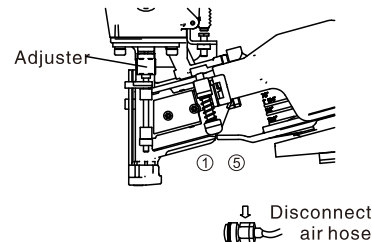
⚠ WARNING

- **Disconnect the air hose from the Nailer before turning the adjuster.**

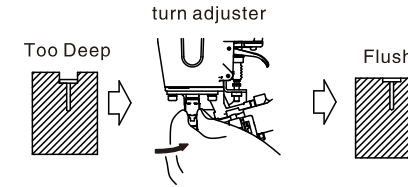
To assure that each nail penetrates to the same depth, be sure that:

- 1) The air pressure to the Nailer remains constant (regulator is installed and working properly),
- 2) The Nailer is always held firmly against the workpiece. If nails are driven too deep or shallow into the workpiece, adjust the nailing in the following order.

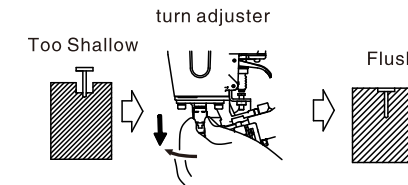
- ① DISCONNECT AIR HOSE FROM NAILER



- ② If nails are driven too deep, turn the adjuster counterclockwise while pulling it downward. When the adjuster is released, it returns upward. Furthermore, turn the adjuster until it reaches a position where it gets fixed with a click.



If nails are driven too shallow, turn the adjuster clockwise while pulling it downward. When the adjuster is released, it return upward. Furthermore, turn the adjuster until it reaches a position where it gets fixed with a click.



The adjuster can be fixed each at 1/4 rotation. The adjuster moves approximately 0.25 mm per 1/4 rotation.

- ③ Stop turning the adjuster when a suitable position is reached for a nailing test.
- ④ Connect the air hose. ALWAYS WEAR EYE PROTECTOR. Perform a nailing test.
- ⑤ DISCONNECT AIR HOSE FROM NAILER.
- ⑥ Choose a suitable position for the adjuster.

MAINTENANCE

NOTE: The information contained in this Manual is designed to assist you in the safe maintenance of the Nailer.
Some illustrations in this Manual may show details or attachments that differ from those on your own Nailer.

MAINTENANCE AND INSPECTION

Read section titled "SAFETY"

⚠ WARNING

● **Disconnect air hose and remove all nails from Nailer when:**

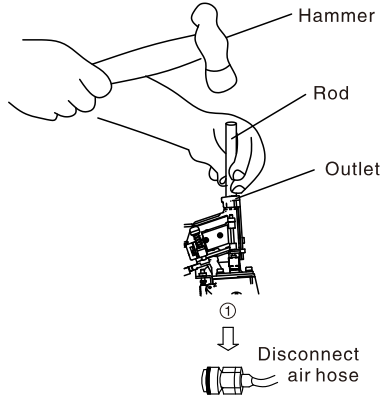
- 1) **Doing maintenance and inspection;**
- 2) **Clearing a jam.**

● **Never use gasoline or other highly flammable liquids for cleaning.**

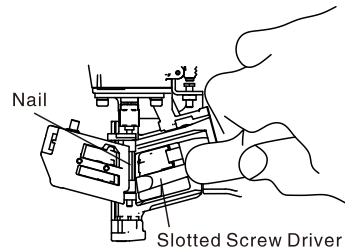
1. Clearing a jam

Remove a jammed nail in the following order

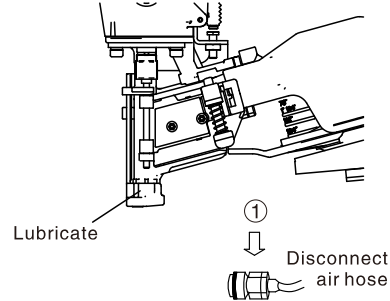
- ① **DISCONNECT AIR HOSE**
- ② **Open the nail guide**
- ③ **Insert a rod into the outlet.**
Tap the rod with a hammer.



- ④ **Remove the jammed nail with a slotted screw driver.**

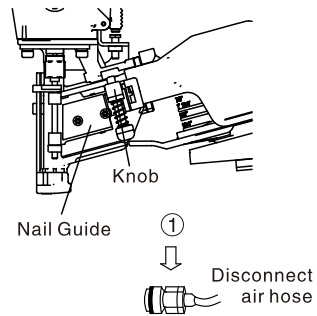


- ⑤ **Cut the deformed collated wire with nippers.**
Correct the deformation.
 - ⑥ **In case of frequent jam, contact a authorized service center.**
2. Inspecting the push lever
- ① **DISCONNECT AIR HOSE.**
 - ② **Lubricate it with Pneumatic tool lubricant.**



3. Inspecting the feeders

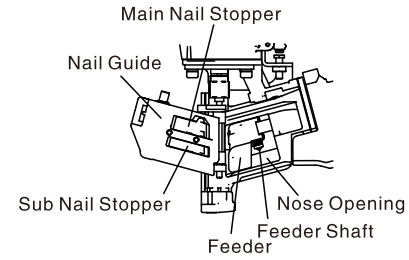
- ① **DISCONNECT AIR HOSE**
- ② **Clean the knob sliding part.**
Lubricate it with Pneumatic tool lubricant.



- ③ **Open the nail guide and remove dust.**
Lubricate the nose opening and feeder shaft.

⚠ CAUTION

- **Check that the main nail stopper and sub nail stopper slider smoothly by pushing them with finger.**
If not smooth, nails can be driven at an irregular angle and hurt someone.



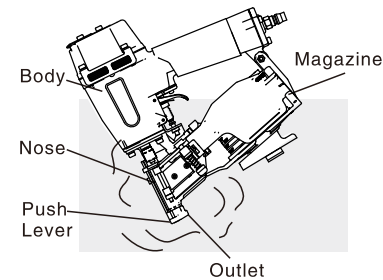
- ④ **Lubricate the feeding surfaces of the nose and the nail guide after cleaning.**
This promotes smooth operation and prevents rust.

4. Cleaning and removal of tar and dirt

Tar and dirt may build up on the nose and push lever. This can prevent correct operation. Clean and remove tar and dirt with kerosene. #2 fuel oil or diesel fuel.

NEVER USE GASOLINE or other highly flammable liquids. Vapor of such liquids inside the Nailer could be ignited by a spark produced during nailing, which can cause an explosion.

- ① **Immerse only the area around the outlet in solvent.**
Do not immerse the magazine or body.
Plastic parts and O-ring may be damaged.



- ② **Dry off the Nailer before use.** Any oil film left after cleanup will accelerate the tar buildup and the Nailer will require more frequent re-cleaning.
- ③ **Make sure the push lever operates properly.**

⚠ WARNING

- **Never use Nailer unless push lever is operating properly.**

NOTE:

Solvents sprayed on nose to clean and free up the push lever may have the opposite effect. The solvent may soften the tar on the shingles and cause tar buildup to be accelerated. Dry operation better.

5. Inspecting the magazine

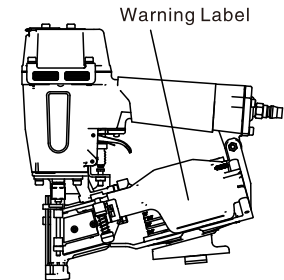
- ① **DISCONNECT AIR HOSE.**
- ② **Clean the magazine.** Remove paper chips or wooden chips which may have accumulated in the magazine

6. Storing

- **When not in use for an extended period, apply a thin coat of the lubricant to the steel parts to avoid rust.**
- **Do not store the Nailer in a cold weather environment.**
Keep the Nailer in a warm area.
- **When not in use, the Nailer should be stored in a warm and dry place.**
Keep out of reach children.

7. WARNING LABEL

Do not use the Nailer with missing or damaged WARNING LABEL.



8. Maintenance chart

9. Operator troubleshooting

10. Service parts list

⚠ CAUTION

- Repair, modification and inspection of this tool must be carried out by a Authorized Service Center. This Parts List will be helpful if presented with the tool to the Authorized Service Center when requesting repair or other maintenance. In the operation and maintenance of power tools, the safety regulations and standards prescribed in each country must be observed.

MODIFICATIONS:

This tool is constantly being improved and modified to incorporate the latest technological advancements. Accordingly, some parts may be changed without prior notice.

Maintenance chart

ACTION	WHY	HOW
Drain air line filter daily.	Prevent accumulation of moisture and dirt.	Open manual petcock.
Keep lubricator filled.	Keep the Nailer lubricated.	Fill with pneumatic tool lubricant.
Clean filter element and blow air through filter in direction opposite to normal flow daily.	Prevent clogging of filter with dirt.	Follow manufacturer's instructions.
Clean magazine and feeder mechanism	Prevent a jam.	Blow clean daily.
Keep push lever working properly	Promote operator safety and efficient Nailer operation.	Blow clean daily.
Lubricate the Nailer after nailing	Extend the Nailer life.	Supply 5–10 drops of lubricant into the Nailer
Drain air compressor daily	Keep the Nailer operated properly.	Open petcock on air compressor tank

SERVICE AND REPAIRS

⚠ WARNING

- Only service personnel trained by manufacturer, distributor or employer shall repair the Nailer.
- Use only parts supplied or recommended by manufacturer for repair.

All quality Nailers will eventually require servicing or replacement of parts because of wear from normal use.

NOTE:

Specifications are subject to change without any obligation on part.

Operator troubleshooting.

Most minor problems can be resolved quickly and easily using the table below. If problems persist, contact a authorized service center for assistance.

PROBLEM	CHECK METHOD	CORRECTION
Nailer operates, but no nail is driven.	Open nail guide. Check for a jam	Clear a jam .
	Check function of feeder	Clean and lubricate.
	Check for proper nails	Use only recommended nails.
Weak drive. Slow to cycle	Check air pressure	Increase air pressure. (Do not exceed 120 psi (8.3bar 8.5 kgf/cm2)
	Check position of adjuster per _____	Readjust
	_____	Use pneumatic tool lubricant.
	Driver blade worn? Piston O–ring worn or damaged?	Raplace
Drives too deep	Check air pressure.	Reduce air pressure. (Adjust 70–120 psi) (4.9–8.3bar 5–8.5 kgf/m2)
	Check position of adjuster	Readjust
Skipping nails. Intermittent feed.	Check for proper nails	Use only recommended nails.
	Check function of feeder . _____	Clean and lubricate. Use pneumatic tool lubricant.
	Check position of nail holder in magazine .	Adjust nail holder to proper position.
	Piston O–ring cut or heavily worn?	Raplace
Nails jam Driven nail is bent.	Check for proper nails.	Use only recommended nails.
	Driver blade worn?	Raplace
Drives properly during normal operation, but does not drive fully at faster nailing speeds.	Check inside diameter of air hose.	Use larger air hose.