

meite[®]

Guangdong Meite Mechanical Co.,Ltd.

Add: No.10, Shunjing St.,Hegui Industrial Park(B), Lishui Town, Nanhai District, Foshan, GD 528241, China

Tel : (0086)757-85126856 Email: export@gdmeite.com
Fax : (0086)757-85126850 Website: www.meitertools.com

MT24-04 Version

meite[®]

TOOLS FOR PROFESSIONALS



PROFESSIONAL TOOLS & FASTENERS



meite®

Your All-in-One Source for Pneumatic Tools, Fasteners, and Accessories.

Founded in 1996, Guangdong Meite Mechanical Co, Ltd. quickly established itself as a key player in the production of pneumatic products. Over the past two decades, we've broadened our range to include nail guns, staplers, fasteners, spray guns, and more. Our tools are trusted by professionals in sectors like furniture manufacturing, upholstery, construction, packaging, etc.

We are deeply committed to technological advancement and high-efficient manufacturing procedures to ensure our customers always receive products that embody quality and durability. Our expansive 70,000 m² (750,000 ft²) facility boasts cutting-edge CNC machinery, advanced heat treatment procedures, forging equipment, and state-of-the-art painting systems. We've secured both ISO 9001 and CE certifications.

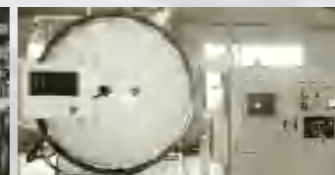
Meite prioritizes customer feedback, crafting tools and fasteners tailored to their requirements. We remain unwavering in delivering top-tier products and expert services to our global clientele.

meite®

END TO END MANUFACTURING



Casting



Heat Treatment



CNC Machining



Assembling

AN ISO 9001 CERTIFICATED MANUFACTURER

CONTENTS

01

Construction Nailer

CN45R	02
CN65S	03
CN83F	04
CN425S	04
SN3483F	05
SN2183FA	06
SF13021	06

02

Industrial Coil Nailer

CN38	08
CN55	08
CN65B	09
CN70B	09
CN80B	10
CN70E	10
CN80E	10
CN70DS	11
CN80DS	11
CN100DS	11
CN90	12
CN100B	12
CN100	12
CN100EPAL	13
CN130	13

03

De-Nailer

T50SC-B	15
NP55	15
NP70	15

04

C Ring Plier

SC712	17
SC760C	17
SC7C	18
SC7E	18
SC77XE	18
MTC560	19
MTC600	19
MTHC45	19

05

Clipping Tool

M45	21
M46B	21
M65B	21
M66C	22
M66L	22
M66LB	22

06

Industrial Stapling Plier

P88U	23
P88U-B	23

07

Headless Pinner

P625B	25
MP630B	25
MP635B	25
MP650B	26
MT840	26
MT850	26

08

Fine Wire Stapler

8016B	28
1013J	28
7116B	28
1010F	28
1416B	28
MT8016	29
MT7116	29
MT1416	29
MT8416	29
MT8016S	30
MT7116S	30
MT5016S	30
MT1416S	30
MT8416S	30
MT8016LN	31
MT7116LN	31
MT5016LN	31
8016F2	32
MTP5016	32
MTP8016	32
422J	33
1022J	33
MT425J	33
MT1025J	33
7116-A	34
8016-A	34
7116-AL	34
8016-AL	34

Medium Wire Stapler

440KB	35
9240B	35
635TR	36
MT432KLM	36
MT440KLM	36

Heavy Wire Stapler

MT-N851-H	37
N851-L	37
N851F	37
14/40	38
14/50	38
PW2638-L	38

09

Brad Nailer

MTF32	40
F32D	40
F32	40
F50G	41
F50C	41
T50SA	41
T50MA	42
FST50	42
T64A	42

10

Concrete and Steel Nailer

ST38	44
ST64	44
CS3025	44
MTCS3040L	45

11

Picture Frame Tacker

P515	47
HM515	47
HF18	47
V1015B	48

12

Deco Nailer

ZN1400	50
ZN-12S	50

13

Carton Closing Stapler

HB3515	52
HB3518	52
ADCS-19	52
ADCS-22	52

14

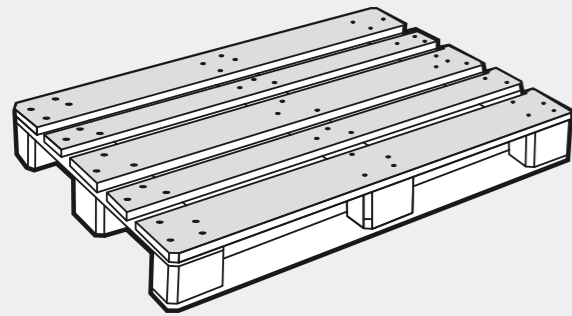
Nails

Coil Nails Series	54
C-Rings Series	56
Clips Series	56
88 series	56
Headless Pin Series	57
71 Series	58
80 Series	58
50 Series	58
N Series	59
14 Series	59
92 Series	59
90/K Series	60
P Series	60
F Brad Series	61
T Brad Series	61
Carton Staples Series	61

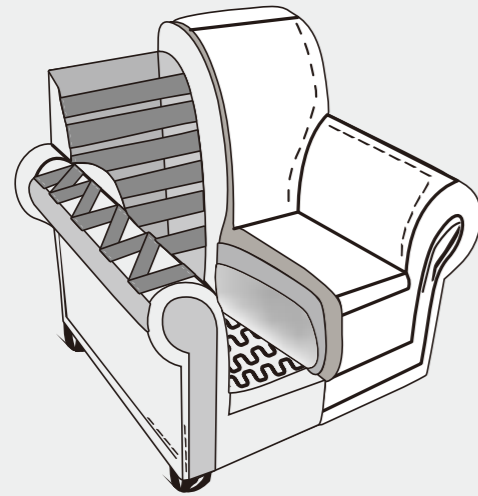
15

Accessories

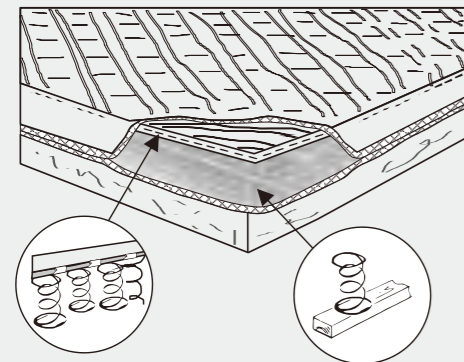
PROFESSIONAL TOOLS & FASTENERS



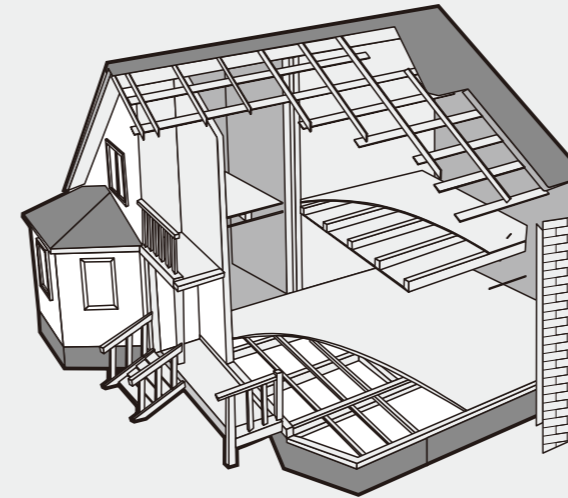
APPLICATIONS	TOOL SERIES	MODEL	
Pallets Crates/Wood Case Packaging	Coil Nailer	CN55	
		CN65B	
		CN70B	
		CN70E CN70DS	
		CN80B	
		CN90	
		CN100B CN100 CN100EPAL	
		CN130	
		Nail Puller	T50SC-B NP55 NP70
		Heavy Wire Stapler	N851F MT-N851-H N851-L
Packaging	Carton Closing Stapler	PW2638-L 14/40 14/50	
		Strip Nailer	SF13021
		HB3515 HB3518	
		ADCS-19 ADCS-22	



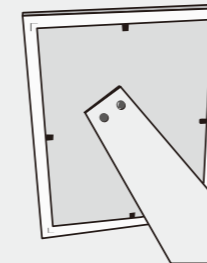
APPLICATIONS	TOOL SERIES	MODEL	
Furniture Cabinets Bedding	Fine Wire Stapler	MT7116 7116B	
		MT8016 8016B 8016F2	
		1022J	
		422J	
		MT5016 MTP5016	
		MT425J MT1025J	
		MT1416 1416B	
		MT432KLM MT440KLM	
		Medium Wire Stapler	440KB
		9240B	
Cabinets	Headless Pinner Nailer	635TR	
		Heavy Wire Stapler	N851F MT-N851-H N851-L
		Coil Nailer	PW2638-L
		Deco Nailer	CN55
		Brad Nailer	ZN1400 ZN-12
		MTF32 F32 F32D F50C F50G	
		T64A T50MA FST50	
		P625B MP630B	
		P635B MP650B	
		Mini Brad Pinner	MT840 MT850



APPLICATIONS	TOOL SERIES	MODEL
Spring Mattress	C-Ring Plier	SC7C
		SC7E
		SC760C SC77XE
Car Seat	Clipping Tool	M65B M66C M66L M66LB
		M45 M46B
		P88U P88U-B
Fine Wire Stapler	Fine Wire Stapler	MT7116 7116B
		MT8016 8016B 8016F2
		1022J
		422J
		MT5016 MTP5016
		MT425J MT1025J
		Mt1416 1416B



APPLICATIONS	TOOL SERIES	MODEL		
Flooring Decking Siding Sheathing Fencing	Flooring Nailer	MFS50		
		Construction Coil Nailer	CN452S CN45R CN65S	
			CN55	
		Coil Nailer	CN70B CN70E	
		Roofing Nailer	CN80B SN2183FA SN3483F	
			CN90	
		Heavy Wire Stapler	N851F MT-N851-H N851-L 14/40 14/50	
			Concrete and Steel Nailer	CS3025 MTC3040L
		Windows Door	Fine Wire Stapler	MT7116 7116B
				MT8016 8016B 8016D 8016F2
1022J				
422J				
MT5016 MTP5016				
MT425J MT1025J				
MT1416 1416B				
MT432KLM MT440KLM				
Medium Wire Stapler	440KB			
9240B				
Heavy Wire Stapler	635TR			
	MT-N851-H N851-L 14/40 14/50			
	N851F PW2638-L			
Brad Nailer	MTF32 F32 F32D F50C			
Interior Decoration	Headless Pinner Nailer	MP622B MP630B		
		MP635B MP650B		
		Mini Brad Pinner	MT840 MT850	



APPLICATIONS	TOOL SERIES	MODEL
Picture Frame	Flex Point Tacker	HM515
		P515
	Hard Point Tacker	HF18
	V-Nailer	V1015B
	Headless Pinner Nailer	MP622B MP630B
	MP635B MP650B	
Mini Brad Pinner	MT840 MT850	

CONSTRUCTION NAILER

15° CONSTRUCTION NAILER CN45R 1 3/4" Roofing Nailer



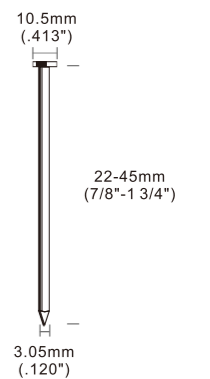
FEATURES

- Powerful for heavy-duty applications
- Durable driver and bumper for long life
- Single and rapid firing switchable
- Depth control with a simple adjustable knob
- Bump firing trigger for high speed operation

APPLICATIONS

Roofing

FASTENER



Weight	Length	Width	Height	Capacity	Air Inlet	Trigger	Operating Pressure
2.6kg/5.7lbs	250mm/19.84"	117mm/4.61"	264mm/10.39"	120pcs	3/8"NPT	Contact	70-120psi

Type: Wire Collated Roofing Nail
Nail Pitch: 8.0mm(.315")
Shank Type: Smooth, Screw & Ring



Trigger
Available to change intermittent operation from continuous operation



Nail Plate
According to loading different nails length, the nail plate has three height sections for adjustment



Nail Outlet
With an adjuster to adjust the nailing depth



Muzzle
Two pieces of tungsten steel with high hardness are welded at the muzzle to make the muzzle more wear-resistant and durable

15° CONSTRUCTION NAILER
CN65S
2 1/2" Coil Siding Nailer



Trigger
 Ability to switch between single-sequential and contact actuation trigger

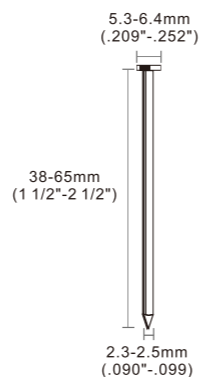
360° Adjustable Exhaust
 The 360° adjustable exhaust directs air away from the user and releases pressure

Toolless Depth Adjust
 With an adjuster to adjust the nailing depth

- FEATURES**
- Powerful for heavy-duty applications
 - Durable driver and bumper for long life
 - Single and rapid firing swithable
 - Depth control with simple adjustable knob
 - Bump firing trigger for high speed operation

APPLICATIONS
 Siding / Fencing / Sheathing / Framing

FASTENER



Type: Wire Collated Coil Nails
Nail Pitch: 6.8mm (.267")
Shank Type: Smooth, Screw & Ring

Weight	Length	Width	Height	Capacity	Air Inlet	Trigger	Operating Pressure
2.3kg/5.1lbs	290mm/11.42"	130mm/5.12"	300mm/11.81"	200-300pcs	3/8"NPT	Contact	70-120psi

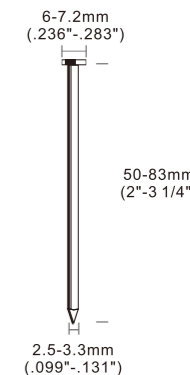
15° CONSTRUCTION NAILER
CN83F
3 1/4" Coil Framing Nailer



- FEATURES**
- Switchable firing mode
 - Light weight & well-balanced
 - Adjustable depth control

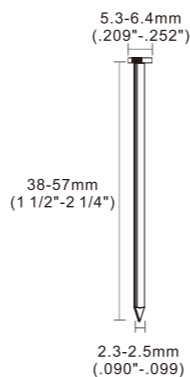
APPLICATIONS
 Framing / Decking / Subflooring / Pallets / Crates

FASTENER



Type: Wire Collated Coil Nails
Nail Pitch: 8mm (.315")
Shank Type: Smooth, Screw & Ring

Weight	Length	Width	Height	Capacity	Air Inlet	Trigger	Operating Pressure
4.1kg/9.0lbs	315mm/12.40"	136mm/5.35"	350mm/13.78"	200-300pcs	3/8"NPT	Contact	85-120psi



Type: Plastic Collated Coil Nails
Nail Pitch: 6.8mm (.267")
Shank Type: Smooth, Screw & Ring



Nose Cap
 Protects material from accidental marks



Easy Load Magazine
 Side load, tilt bottom magazine for fast and easy reloads



Adjuster
 Depth control with a simple knob



Trigger
 Ability to switch between sequential and contact actuation trigger



Hook
 Adjustment for hook direction

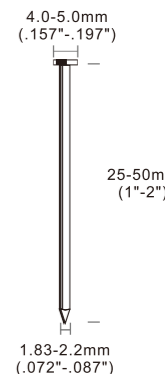
15° CONSTRUCTION NAILER
CN452S
2" Coil Nailer



- FEATURES**
- Switchable firing mode
 - 360° exhaust deflector
 - Light weight & well-balanced
 - Adjustable depth control
 - No-mar tip

APPLICATIONS
 Siding / Decking / Fencing / Sheathing

FASTENER



Type: Wire & Plastic Collated / Coil Nails
Nail Pitch: 6mm (.236")
Shank Type: Smooth, Screw & Ring

Weight	Length	Width	Height	Capacity	Air Inlet	Trigger	Operating Pressure
1.86kg/4.1lbs	287mm/11.30"	110mm/4.33"	300mm/11.81"	300pcs	1/4"NPT	Contact	70-100psi



FRAMING NAILER

APPLICATIONS

- Floor and wood framing
- Truss build-up, Window build-up
- Subflooring and roof decking
- Wood sheathing
- Mobile house and modular housing construction

21° SN2183FA FRAMING NAILER 3 1/4" Framing Nailer



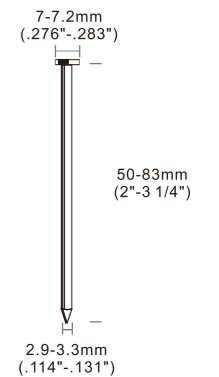
FEATURES

- Powerful for heavy-duty applications
- Durable driver and bumper for long life
- Single and rapid firing switchable
- Well-balanced comfort rubber grip
- Accurate nose, minimizing nail jam
- Bump firing trigger for high speed operation

APPLICATIONS

Framing / Decking / Subflooring / Pallets / Crates

FASTENER



Weight	Length	Width	Height	Capacity	Air Inlet	Trigger	Operating pressure
4.1kg/9.0lbs	368mm/14.49"	161mm/6.34"	479mm/18.86"	50-70pcs	3/8"NPT	Contact	85-120psi

Type: Plastic Collated Strip Nails
Full Head Nails

Shank Type: Smooth, Screw & Ring



Adjuster
Depth control with a simple knob



Trigger
Ability to switch between single-sequential and contact actuation trigger



Magazine
Light weight with aluminum magazine, 4pcs nails left protection mechanism



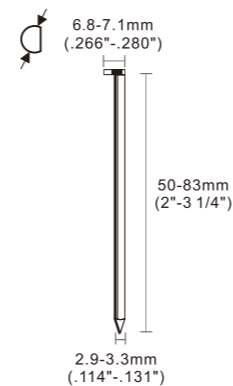
34°
FRAMING NAILER

SN3483F 3 1/4" Framing Nailer

FEATURES

- Powerful for heavy-duty applications
- Fits most clipped head paper strip collected nails
- Well-balanced comfort rubber grip
- Accurate nose, minimizing nail jam
- Bump firing trigger for high speed operation
- Single and rapid firing switchable

FASTENER



Weight	Length	Width	Height	Capacity	Air Inlet	Trigger	Operating Pressure
4.1kg/9.0lbs	505mm/19.88"	165mm/6.50"	370mm/14.57"	68-94pcs	3/8"NPT	Contact	85-120psi

Type: Paper Collated Strip Nails
Clipped and Offset Round Nails

Shank Type: Smooth, Screw & Ring



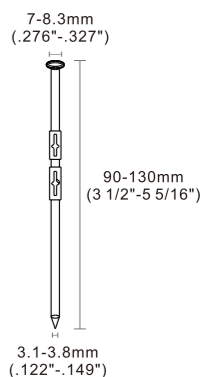
21°
FRAMING NAILER

SF13021 5 1/8" Strip Nailer

FEATURES

- Powerful for heavy-duty applications
- Well-balanced
- Rubber comfort grip
- Durable driver and bumper for long life
- Second handle to reduce fatigue

FASTENER



Weight	Length	Width	Height	Capacity	Air Inlet	Trigger	Operating pressure
6.8kg/14.9lbs	528mm/20.78"	153mm/6.02"	463mm/18.22"	30pcs	3/8"NPT	Contact	100-120psi

Type: Plastic-collated strip nails
Full round head

Shank Type: Smooth, Screw & Ring

COIL NAILER



15°
COIL NAILER

CN38 1 1/2" Coil Nailer

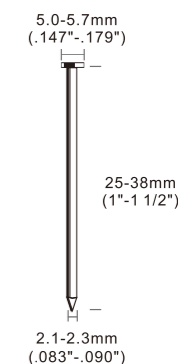
FEATURES

- Powerful for heavy-duty applications
- Well-balanced, comfort rubber grip
- Bump firing trigger for high speed operation
- Durable driver and bumper for long life
- Accurate nose, minimizing nail jam

APPLICATIONS

Pallets / Crates / Wood case / Sheathing / Siding / Fencing / Decking

FASTENER



Weight	Length	Width	Height	Capacity	Air Inlet	Trigger	Operating pressure
2.05kg/4.52lbs	285mm/11.22"	135mm/5.31"	270mm/10.63"	300-400pcs	1/4"NPT	Contact	70-120psi

Type: Wire Collated Coil Nails
Nail Pitch: 6.8mm(.267")
Shank Type: Smooth, Screw & Ring

15° CONSTRUCTION NAILER CN55 2 1/4" Coil Nailer

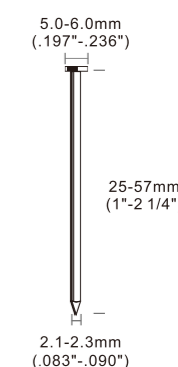
FEATURES

- Powerful for heavy-duty applications
- Well-balanced, comfort rubber grip
- Bump firing trigger for high speed operation
- Durable driver and bumper for long life
- Accurate nose, minimizing nail jam

APPLICATIONS

Pallets / Crates / Wood Cases / Packaging

FASTENER



Weight	Length	Width	Height	Capacity	Air Inlet	Trigger	Operating Pressure
2.75kg/6.06lbs	270mm/10.62"	131mm/5.15"	283mm/11.14"	300-400pcs	1/4"NPT	Contact	85-120psi

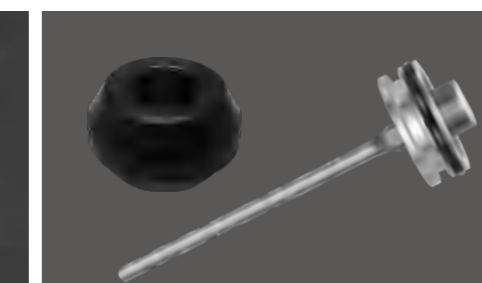
Type: Wire Collated Coil Nails
Nail Pitch: 6.8mm(.267")
Shank Type: Smooth, Screw & Ring



360° exhaust deflector



Large capacity nail box



Durable driver and bumper



15°
COIL NAILER

CN65B 2 1/2" Coil Nailer

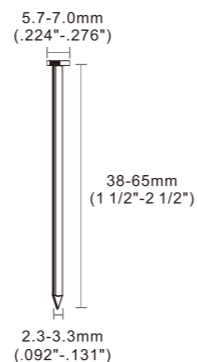
FEATURES

- 360° exhaust deflector
- Bump firing trigger for high speed operation
- Light weight and well-balanced
- Durable driver and bumper for long life

APPLICATIONS

Decking / Subflooring / Sheathing / Pallets

FASTENER



Type: Wire Collated Coil Nails
Nail Pitch: 8.0mm(.315")
Shank Type: Smooth, Screw & Ring

Weight	Length	Width	Height	Capacity	Air Inlet	Trigger	Operating Pressure
2.92kg/6.44lbs	310mm/12.20"	130mm/5.11"	328mm/12.91"	300pcs	1/4"NPT	Contact	85-120psi



15°
COIL NAILER

CN80B 3 1/4" Coil Nailer

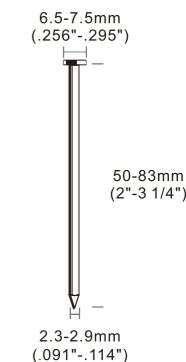
FEATURES

- Powerful for heavy-duty applications
- Well-balanced, comfort rubber grip
- Bump firing trigger for high speed operation
- Durable driver and bumper for long life
- Accurate nose, minimizing nail jam

APPLICATIONS

Pallets / Crates / Wood Cases / Packaging

FASTENER



Type: Wire Collated Coil Nails
Nail Pitch: 8mm(.315")
Shank Type: Smooth, Screw & Ring

Weight	Length	Width	Height	Capacity	Air Inlet	Trigger	Operating Pressure
4.02kg/8.86lbs	347mm/13.66"	137mm/5.39"	348mm/13.70"	225-300pcs	1/4"NPT	Contact	85-120psi

15° CONSTRUCTION NAILER CN70B 2 3/4" Coil Nailer



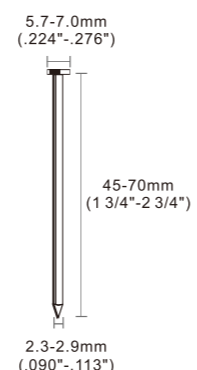
FEATURES

- Powerful for heavy-duty applications
- Well-balanced, comfort rubber grip
- Bump firing trigger for high speed operation
- Durable driver and bumper for long life
- Accurate nose, minimizing nail jam

APPLICATIONS

Pallets / Crates / Wood Cases / Packaging

FASTENER

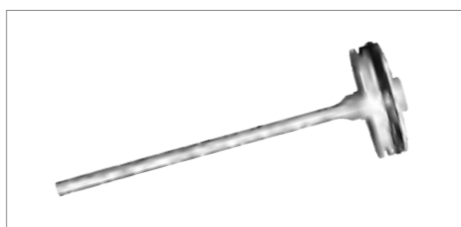


Type: Wire Collated Coil Nails
Nail Pitch: 8mm(.315")
Shank Type: Smooth, Screw & Ring

Weight	Length	Width	Height	Capacity	Air Inlet	Trigger	Operating Pressure
3.84kg/8.47lbs	336mm/13.22"	143mm/5.62"	318mm/12.51"	225-300pcs	1/4"NPT	Contact	85-120psi



Nail Box
Large capacity for easy loading and unloading



Driver Set
High intensity steel, for stronger force and more durability



Sensitive Trigger
Available in continuously nailing by pressing the trigger and hitting the work items

15° COIL NAILER CN70E 2 3/4" Coil Nailer



CN80E



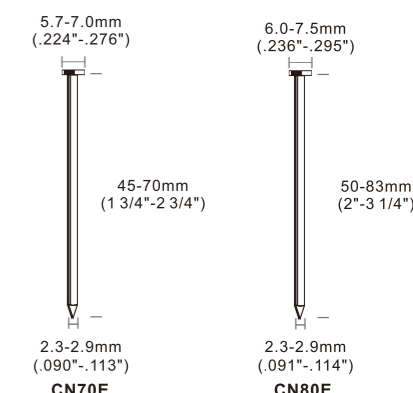
FEATURES

- Tool for automatic pallet machine
- Powerful for heavy-duty applications
- Rapid firing trigger for high speed operation
- Durable driver and bumper for long life
- Accurate nose to minimize nail jam

APPLICATIONS

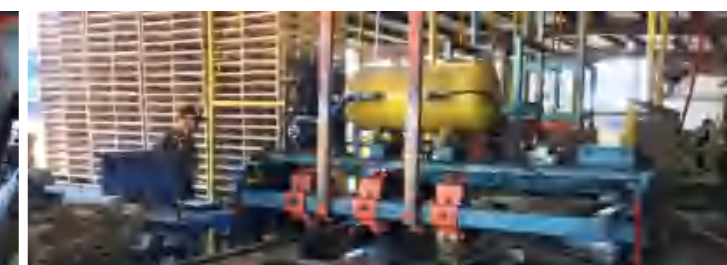
Pallets

FASTENER



Type: Wire Collated Coil Nails
Nail Pitch: 8mm(.315")
Shank Type: Smooth, Screw & Ring

Model	Weight	Length	Width	Height	Capacity	Air Inlet	Trigger	Operating pressure
CN70E	3.05kg/6.72lbs	388mm/13.30"	112mm/4.40"	318mm/12.51"	3000pcs	1/4"NPT	Remote Contact	85-120psi
CN80E	3.38kg/7.45lbs	347mm/13.66"	137mm/5.39"	348mm/13.70"	3000pcs	1/4"NPT	Remote Contact	85-120psi



15° **CN70DS**
COIL NAILER **2 3/4" Coil Nailer**



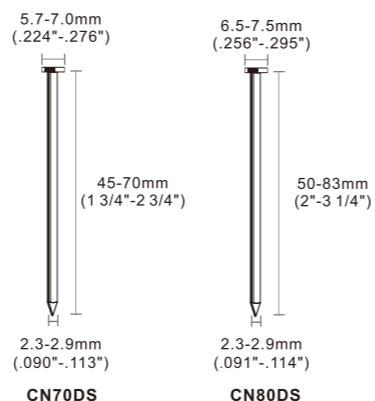
FEATURES

- Powerful for heavy-duty applications
- Both hands requested for actuation to minimize accident
- Bump firing trigger for high speed operation
- Durable driver and bumper for long life
- Accurate nose to minimize nail jam

APPLICATIONS

Pallets / Crates / Wood case

FASTENER



Model	Weight	Length	Width	Height	Capacity	Air Inlet	Trigger	Operating pressure
CN70DS	4.0kg/8.86lbs	376mm/14.80"	133mm/5.23"	318mm/12.51"	225-300pcs	1/4"NPT	Contact	85-120psi
CN80DS	4.22kg/9.30lbs	347mm/13.66"	137mm/5.39"	348mm/13.70"	225-300pcs	1/4"NPT	Contact	85-120psi
CN100DS	6.10kg/13.45lbs	370mm/14.56"	159mm/6.25"	420mm/16.53"	225-300pcs	1/4"NPT	Contact	115-145psi

Type: Wire Collated Coil Nails

Nail Pitch: 8mm(.315")

Shank Type: Smooth, Screw & Ring

15° **CN90**
COIL NAILER **3 1/2" Coil Nailer**



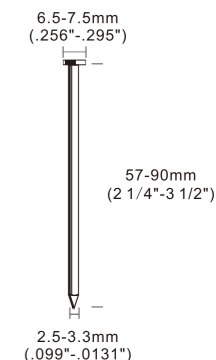
FEATURES

- Powerful for heavy-duty applications
- Well-balanced, comfort rubber grip
- Bump firing trigger for high speed operation
- Durable driver and bumper for long life
- Accurate nose, minimizing nail jam

APPLICATIONS

Pallets / Crates / Wood Cases / Packaging

FASTENER



Type: Wire Collated Coil Nails

Nail Pitch: 8mm(.315")

Shank Type: Smooth, Screw & Ring

Weight	Length	Width	Height	Capacity	Air Inlet	Trigger	Operating Pressure
4.13kg/9.11lbs	385mm/15.15"	137mm/5.39"	365mm/14.37"	225-300pcs	3/8"NPT	Contact	115-145psi

15° **CN100B**
COIL NAILER **4" Coil Nailer**



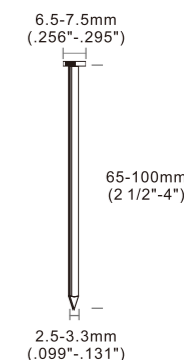
FEATURES

- Powerful for heavy-duty applications
- Well-balanced when hung on balancer
- Rubber comfort grip
- Downward directional exhaust
- Durable driver and bumper for long life

APPLICATIONS

Pallets / Crates / Wood Cases / Packaging

FASTENER



Type: Wire Collated Coil Nails

Nail Pitch: 8mm(.315")

Shank Type: Smooth, Screw & Ring

Weight	Length	Width	Height	Capacity	Air Inlet	Trigger	Operating Pressure
5.67kg/12.5lbs	370mm/14.56"	159mm/6.25"	420mm/16.53"	225-300pcs	3/8"NPT	Contact	115-145psi

15° **CN100**
COIL NAILER **4" Coil Nailer**



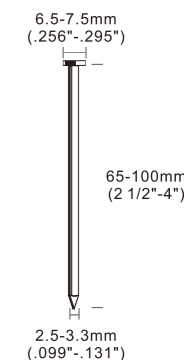
FEATURES

- Powerful for heavy-duty applications
- Well-balanced when hung on balancer
- Rubber comfort grip
- Downward directional exhaust
- Durable driver and bumper for long life

APPLICATIONS

Pallets / Crates / Wood case / Packaging / Decking / Sheathing

FASTENER



Type: Wire Collated Coil Nails

Nail Pitch: 8mm(.315")

Shank Type: Smooth, Screw & Ring

Weight	Length	Width	Height	Capacity	Air Inlet	Trigger	Operating pressure
5.30kg/11.68lbs	405mm/15.94"	143mm/5.62"	403mm/15.86"	225-300pcs	3/8"NPT	Contact	115-145psi

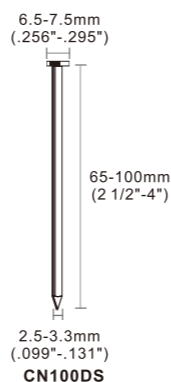


CN80DS



CN100DS

FASTENER



Type: Wire Collated Coil Nails

Nail Pitch: 8mm(.315")

Shank Type: Smooth, Screw & Ring



15°
COIL NAILER

CN100EPAL

3 1/2" Coil Nailer

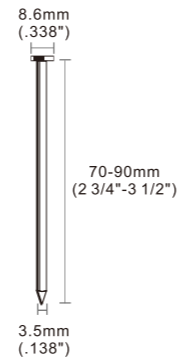
FEATURES

- Drives PAL Coil nails from 70-90mm
- Powerful for heavy-duty applications
- Well-balanced when hung on balancer
- Rubber comfort grip
- Downward directional exhaust
- Durable driver and bumper for long life

APPLICATIONS

EPAL Pallets / Heavy-duty pallets / Packaging

FASTENER



Type: Wire Collated Coil Nails

Nail Pitch: 10.5mm (.413 inch)

Shank Type: Smooth, Screw & Ring

Weight	Length	Width	Height	Capacity	Air Inlet	Trigger	Operating pressure
5.8kg/12.8lbs	457mm/17.99"	156mm/6.14"	336mm/13.22"	225-300pcs	3/8"NPT	Contact	115-145psi



15°
COIL NAILER

CN130

5 1/8" Coil Nailer

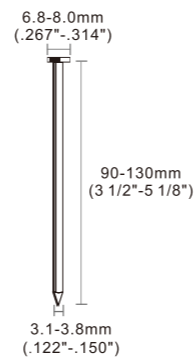
FEATURES

- Powerful for heavy-duty applications
- Well-balanced when hung on balancer
- Rubber comfort grip
- Downward directional exhaust
- Durable driver and bumper for long life

APPLICATIONS

Pallets / Crates / Wood case / Packaging / Framing

FASTENER



Type: Wire Collated Coil Nails

Nail Pitch: 10.5mm (.413 inch)

Shank Type: Smooth, Screw & Ring

Weight	Length	Width	Height	Capacity	Air Inlet	Trigger	Operating pressure
6.51kg/14.35lbs	370mm/14.56"	165mm/6.49"	479mm/18.85"	120-225pcs	3/8"NPT	Contact	115-145psi



NAIL REMOVING





T50SC-B

Nail Puller

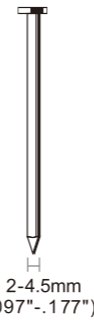
FEATURES

- Light weight & well-balanced
- Comfort grip
- Durable driver and bumper for long life

APPLICATIONS

Pallets / Packaging / Crates / Wood

FASTENER



1. This list is only for your reference.
2. You should chose one larger model if the wood is hard

Thickness of Wood: 15-25mm

Length of Nail: 60-85mm

Weight	Length	Width	Height	Capacity	Air Inlet	Trigger	Operating pressure
1.06kg/2.34lbs	282mm/11.10"	62mm/2.44"	228mm/8.97"	/	1/4"NPT	Trigger	70-100psi



NP55

Nail Puller

FEATURES

- Light weight & well-balanced
- Rubber comfort grip
- Durable driver and bumper for long life
- Powerful for heavy-duty applications

APPLICATIONS

Pallets / Packaging / Crates / Wood

FASTENER



1. This list is only for your reference.
2. You should chose one larger model if the wood is hard

Thickness of Wood: 25-40mm

Length of Nail: 85-130mm

Weight	Length	Width	Height	Capacity	Air Inlet	Trigger	Operating pressure
2.0kg/4.41lbs	298mm/11.73"	99mm/3.90"	276mm/10.86"	/	1/4"NPT	Trigger	85-120psi



NP70

Nail Puller

FEATURES

- Light weight & well-balanced
- Rubber comfort grip
- Durable driver and bumper for long life
- Powerful for heavy-duty applications

APPLICATIONS

Pallets / Packaging / Crates / Wood

FASTENER



1. This list is only for your reference.
2. You should chose one larger model if the wood is hard

Thickness of Wood: 35-50mm

Length of Nail: 85-140mm

Weight	Length	Width	Height	Capacity	Air Inlet	Trigger	Operating pressure
2.73kg/6.02lbs	336mm/13.23"	303mm/11.92"	112mm/4.41"	/	1/4"NPT	Trigger	85-120psi

MATTRESS & CAR SEAT



17 GA C-RING PLIER **SC712**
5/16" C-Ring Plier



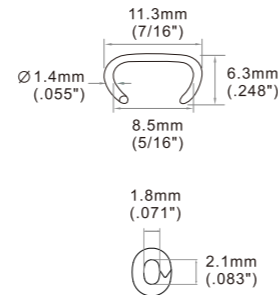
FEATURES

- Well-balanced, ergonomically designed
- Shorter magazine body, lighter and more flexible
- Rubber comfort grip
- Easily converted to right or left hand operation

APPLICATIONS

Wire Cage / Spring Mattress / Bag Closure

FASTENER



Type: Tape Collated C-Ring

Gauge size: 17GA

Material: Galvanized, Stainless

Weight	Length	Width	Height	Capacity	Air Inlet	Trigger	Operating Pressure
1.56kg/3.44lbs	275mm/10.83"	84mm/3.31"	210mm/8.27"	100pcs	1/4"NPT	Trigger	70-100psi



Better sealing with one-piece front valve set



More durable jaw by line cutting



Shorter magazine body, lighter and more flexible

16 GA C-RING PLIER **SC760C**
1/2" C-Ring Plier



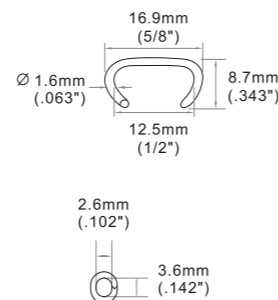
FEATURES

- Well-balanced, ergonomically designed
- Large capacity long magazine
- Rubber comfort grip
- Easily converted to right or left hand operation

APPLICATIONS

Wire Cage / Car Set / Spring Mattress / Bag Closure

FASTENER



Type: Tape Collated C-Ring

Gauge size: 16GA

Material: Galvanized, Stainless

Weight	Length	Width	Height	Capacity	Air Inlet	Trigger	Operating Pressure
1.57kg/3.46lbs	330mm/13.00"	84mm/3.31"	201mm/7.91"	100pcs	1/4"NPT	Trigger	70-100psi

15 GA C-RING PLIER **SC7C**
3/4" C-Ring Plier



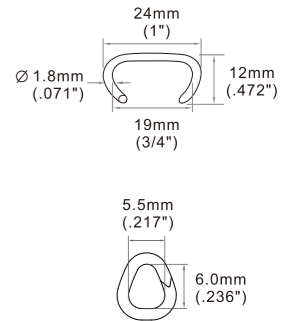
FEATURES

- Well-balanced, ergonomically designed
- Large capacity long magazine
- Rubber comfort grip
- Easily converted to right or left hand operation

APPLICATIONS

Wire Cage / Car Set / Spring Mattress / Bag Closure

FASTENER



Type: Tape Collated C-Ring

Gauge size: 15GA

Material: Galvanized, Stainless

Weight	Length	Width	Height	Capacity	Air Inlet	Trigger	Operating Pressure
1.67kg/3.68lbs	338mm/13.30"	84mm/3.31"	201mm/7.91"	100pcs	1/4"NPT	Trigger	70-100psi

15 GA C-RING PLIER **SC7E**
3/4" C-Ring Plier



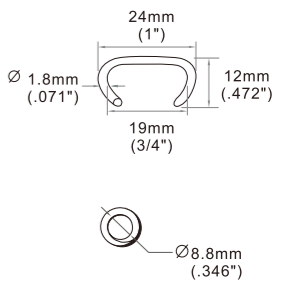
FEATURES

- Well-balanced, ergonomically designed
- Large capacity long magazine
- Rubber comfort grip
- Easily converted to right or left hand operation

APPLICATIONS

Wire Cage / Car Set / Spring Mattress / Bag Closure

FASTENER



Type: Tape Collated C-Ring

Gauge size: 15GA

Material: Galvanized, Stainless

Weight	Length	Width	Height	Capacity	Air Inlet	Trigger	Operating Pressure
1.67kg/3.68lbs	349mm/13.74"	84mm/3.31"	201mm/7.91"	100pcs	1/4"NPT	Trigger	70-100psi

15 GA C-RING PLIER **SC77XE**
3/4" C-Ring Plier Exrta Extended nose



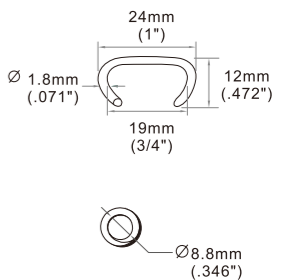
FEATURES

- Well-balanced, ergonomically designed
- Large capacity long magazine
- Rubber comfort grip
- Easily converted to right or left hand operation

APPLICATIONS

Wire Cage / Car Set / Spring Mattress / Bag Closure

FASTENER



Type: Tape collated C-Ring

Gauge size: 15GA

Material: Galvanized, stainless

Weight	Length	Width	Height	Capacity	Air Inlet	Trigger	Operating pressure
1.86kg/4.10lbs	375mm/14.76"	88mm/3.46"	216mm/8.50"	100pcs	1/4"NPT	Trigger	70-100psi

CLIPPING TOOLS



14 GA
C-RING
PLIER

MTC560

1 1/2" C-Ring Plier

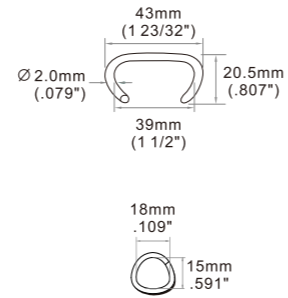
FEATURES

- Well-balanced, ergonomically designed
- Large capacity long magazine
- Rubber comfort grip
- Can be easily converted to right or left hand operation

APPLICATIONS

Wire Cage / Car Set / Spring Mattress / Bag Closure

FASTENER



Type: Tape Collated C-Ring

Gauge size: 14GA

Material: Galvanized, Stainless

Weight	Length	Width	Height	Capacity	Air Inlet	Trigger	Operating Pressure
2.8kg/6.17lbs	422mm/16.61"	131mm/5.16"	243mm/9.57"	125pcs	1/4"NPT	Trigger	85-120psi



14 GA
C-RING
PLIER

MTC600

1 9/16" C-Ring Plier

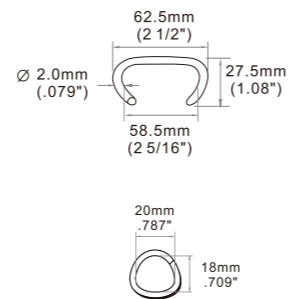
FEATURES

- Well-balanced, ergonomically designed
- Large capacity long magazine
- Rubber comfort grip
- Can be easily converted to right or left hand operation

APPLICATIONS

Wire Cage / Car Set / Spring Mattress / Bag Closure

FASTENER



Type: Tape collated C-Ring

Gauge size: 14GA

Material: Galvanized, stainless

Weight	Length	Width	Height	Capacity	Air Inlet	Trigger	Operating pressure
3.5kg/7.12lbs	435mm/17.13"	152mm/5.98"	273mm/10.75"	125pcs	1/4"NPT	Trigger	85-120psi



11 GA
C-RING
PLIER

MTHC45

1 1/2" Manual C-Ring Plier

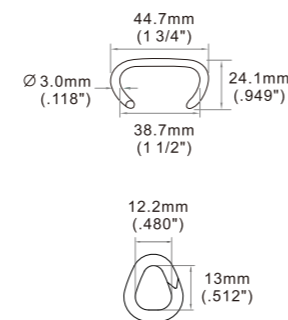
FEATURES

- Well-balanced, ergonomically designed
- Convenient to use, no compressed air is needed
- Rubber comfort grip

APPLICATIONS

Gabion / Wire Cage / fencing

FASTENER

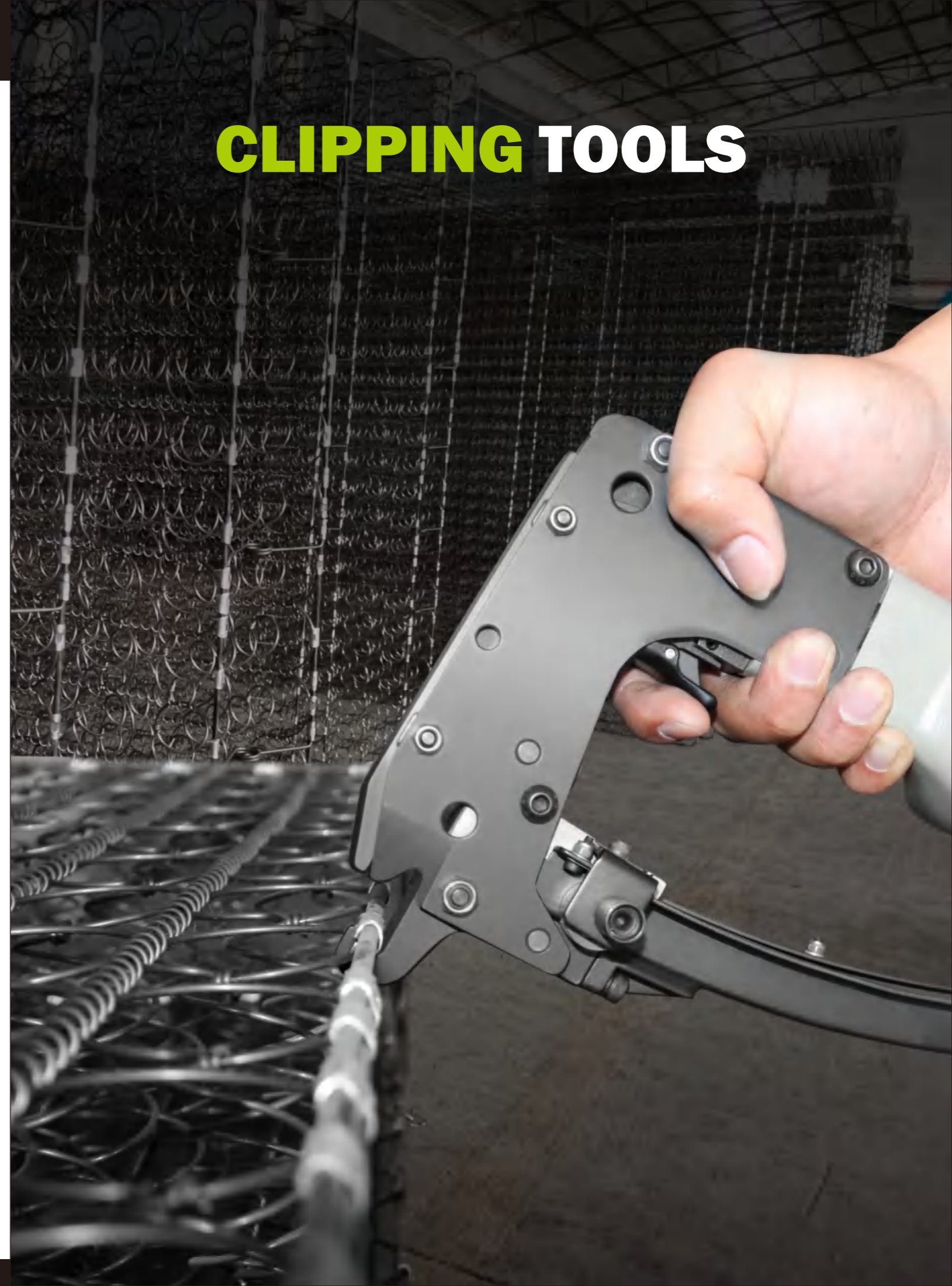


Type: Tape Collated C-Ring

Gauge size: 11GA

Material: Galvanized, Stainless

Weight	Length	Width	Height	Capacity	Air Inlet	Trigger	Operating Pressure
4.31kg/9.50lbs	673mm/26.49"	125mm/4.92"	165mm/6.49"	45pcs	/	Manual	/



M45 Clipper



FEATURES

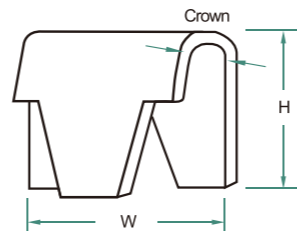
- Well-balanced, ergonomically designed
- Powerful motor for high speed operation
- Durable blade and anvil for long life
- Low maintenance

APPLICATIONS

Wire Cage / Car Set / Car Seat

Weight	Length	Width	Height	Capacity	Air Inlet	Trigger	Operating pressure
3.0kg/6.61lbs	450mm/17.72"	95mm/3.74"	200mm/7.87"	45pcs	1/4"NPT	Trigger	85-120psi

FASTENER



	W	H	Crown	Thickness	Type
CL-13	4.8	10.7	11	0.8	Stip
CL-15	4.8	10.0	11	0.8	Stip
CL-17	4.8	12.7	11	0.8	Stip

M66C Clipper



FEATURES

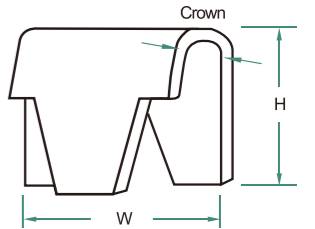
- Powerful motor for high speed operation
- Die-casting housing for lighter weight
- Composite plastic magazine
- Well-Balanced, ergonomically designed
- Durable blade and anvil for long life
- Higher efficiency for more sensitive trigger

APPLICATIONS

Wire Cage / Car Set / Car Seat

Weight	Length	Width	Height	Capacity	Air Inlet	Trigger	Operating pressure
3.0kg/6.61lbs	404mm/15.91"	98mm/3.86"	227mm/8.94"	37pcs	1/4"NPT	Trigger	85-120psi

FASTENER



	W	H	Crown	Thickness	Type
CL-3	6.2	12.3	22	0.8	Stip
CL-4	6.2	14.1	22	0.8	Stip
CL-5	6.2	15.5	19	0.8	Stip
CL-71	6.2	12.3	19	0.8	Stip
CL-72	6.2	14.1	19	0.8	Stip

M46B Clipper



FEATURES

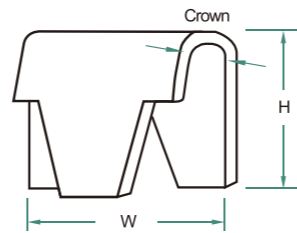
- Well-balanced, ergonomically designed
- Powerful motor for high speed operation
- Durable blade and anvil for long life
- Low maintenance

APPLICATIONS

Wire Cage / Car Set / Car Seat

Weight	Length	Width	Height	Capacity	Air Inlet	Trigger	Operating pressure
3.0kg/6.61lbs	450mm/17.72"	95mm/3.74"	200mm/7.87"	37pcs	1/4"NPT	Trigger	85-120psi

FASTENER



	W	H	Crown	Thickness	Type
CL-12	6.2	11.0	11	0.8	Stip
CL-14	6.2	12.7	11	0.8	Stip
CL-16	6.2	15	11	0.8	Stip
CL-18	6.2	13.3	11	0.8	Stip

M66L Clipper



FEATURES

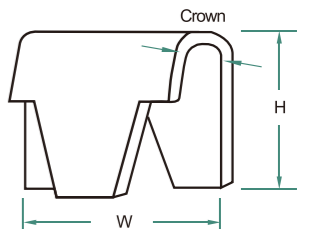
- Powerful motor for high speed operation
- Composite plastic magazine
- Well-Balanced, ergonomically designed
- Durable blade and anvil for long life
- 40% Lighter than traditional models

APPLICATIONS

Wire Cage / Car Set / Car Seat

Weight	Length	Width	Height	Capacity	Air Inlet	Trigger	Operating pressure
2.25kg/4.96lbs	426mm/16.77"	102mm/4.01"	173mm/6.81"	37pcs	1/4"NPT	Trigger	70-100psi

FASTENER



	W	H	Crown	Thickness	Type
CL-3	6.2	12.3	22	0.8	Stip
CL-4	6.2	14.1	22	0.8	Stip
CL-5	6.2	15.5	19	0.8	Stip
CL-71	6.2	12.3	19	0.8	Stip
CL-72	6.2	14.1	19	0.8	Stip

M65B Clipper



FEATURES

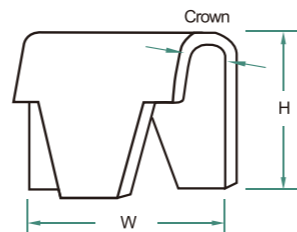
- Well-balanced, ergonomically designed
- Powerful motor for high speed operation
- Durable blade and anvil for long life
- Low maintenance

APPLICATIONS

Wire Cage / Car Set / Car Seat

Weight	Length	Width	Height	Capacity	Air Inlet	Trigger	Operating pressure
3.1kg/6.83lbs	450mm/17.72"	95mm/3.74"	200mm/7.87"	45pcs	1/4"NPT	Trigger	85-120psi

FASTENER



	W	H	Crown	Thickness	Type
CL-23	4.8	12.7	22	0.8	Stip
CL-24	4.8	15.5	22	0.8	Stip
CL-73	4.8	12.7	19	0.8	Stip
CL-74	4.8	15.5	19	0.8	Stip

M66LB Clipper



FEATURES

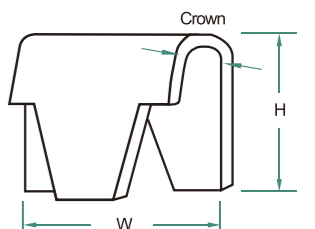
- Powerful motor for high speed operation
- Composite plastic magazine
- Well-Balanced, ergonomically designed
- Durable blade and anvil for long life
- 40% Lighter than traditional models
- Higher efficiency for more sensitive trigger

APPLICATIONS

Wire Cage / Car Set / Car Seat

Weight	Length	Width	Height	Capacity	Air Inlet	Trigger	Operating pressure
2.28kg/5.03lbs	426mm/16.77"	102mm/4.01"	173mm/6.81"	37pcs	1/4"NPT	Trigger	70-100psi

FASTENER



	W	H	Crown	Thickness	Type
CL-3	6.2	12.3	22	0.8	Stip
CL-4	6.2	14.1	22	0.8	Stip
CL-5	6.2	15.5	19	0.8	Stip
CL-71	6.2	12.3	19	0.8	Stip
CL-72	6.2	14.1	19	0.8	Stip

INDUSTRIAL STAPLING PLIER



20 GA C-RING PLIER

P88U
1/2" Crown Stapling Plier

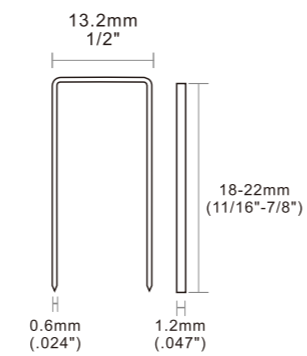
FEATURES

- High-speed operation
- Detachable magazine for quick jam clearing
- Second safety trigger
- Rubber comfort grip

APPLICATIONS

Spring Bedding/Furniture

FASTENER



Type: 88 Fine Wire Staples
Gauge size: 20GA
Collation Type: Glued Strip

Weight	Length	Width	Height	Capacity	Air Inlet	Trigger	Operating pressure
2.18kg/4.81lbs	362mm/14.25"	80mm/3.14"	303mm/11.92"	200pcs	1/4"NPT	Trigger	70-100psi



20 GA C-RING PLIER

P88U-B
1/2" Crown Stapling Plier

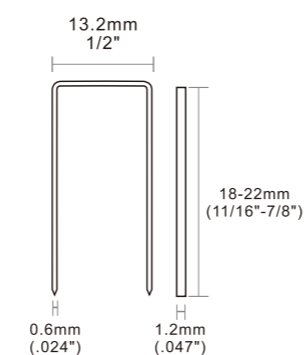
FEATURES

- High-speed operation
- Detachable magazine for quick jam clearing
- Second safety trigger
- Rubber comfort grip
- Bottom staplers loading magazine

APPLICATIONS

Spring Bedding/Furniture

FASTENER



Type: 88 Fine Wire Staples
Gauge size: 20GA
Collation Type: Glued Strip

Weight	Length	Width	Height	Capacity	Air Inlet	Trigger	Operating pressure
2.17kg/4.78lbs	362mm/14.25"	80mm/3.14"	303mm/11.92"	200pcs	1/4"NPT	Trigger	70-100psi

PIN NAILER



MP635B

• 23GA. HEADLESS PINS
22-35mm (7/8"-1 3/8")
• 23GA. BRAD NAILS USED
12-35mm (1/2"-1 3/8")
Air pressure 70-100psi
MADE IN CHINA





23 GA HEADLESS PINNER

P625B

1" Headless Pinner

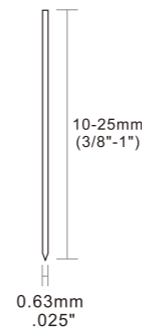
FEATURES

- Well-balanced ergonomically designed
- Powerful for heavy-duty applications
- Rear exhaust with embedded silencer
- Secondary trigger design
- Automatic adjustment magazine

APPLICATIONS

Windows / Door/Cabinets / Interior Decoration

FASTENER



Type: Glued Strip Headless Pins

Gauge size: 23GA

Material: Galvanized, Stainless

Weight	Length	Width	Height	Capacity	Air Inlet	Trigger	Operating pressure
0.81kg/1.79lbs	230mm/9.05"	48mm/1.89"	177mm/6.97"	150pcs	1/4"NPT	Trigger	70-100psi



23 GA HEADLESS PINNER

MP650B

2" Headless/Mini Brad Pinner

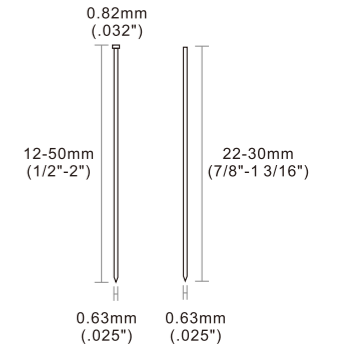
FEATURES

- Suitable for headed and headless pins
- Powerful for heavy-duty applications
- Rear exhaust with embedded silencer
- Secondary trigger design
- Automatic adjustment magazine

APPLICATIONS

Windows / Door / Cabinets / Interior Decoration

FASTENER



Type: Glued Strip Headless Pins

Mini Brad Nails

Gauge size: 23GA

Material: Galvanized, Stainless

Weight	Length	Width	Height	Capacity	Air Inlet	Trigger	Operating Pressure
1.15kg/2.54lbs	230mm/9.05"	60mm/2.36"	226mm/8.89"	100pcs	1/4"NPT	Trigger	80-100psi



23 GA HEADLESS PINNER

MP630B

1 3/16" Headless Pinner

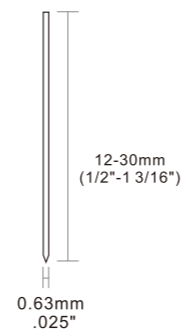
FEATURES

- Well-balanced ergonomically designed
- Powerful for heavy-duty applications
- Rear exhaust with embedded silencer
- Secondary trigger design
- Automatic adjustment magazine

APPLICATIONS

Windows / Door / Cabinets / Interior Decoration

FASTENER



Type: Glued Strip Headless Pins

Gauge size: 23GA

Material: Galvanized, Stainless

Weight	Length	Width	Height	Capacity	Air Inlet	Trigger	Operating Pressure
0.85kg/1.83lbs	225mm/8.88"	52mm/2.05"	185mm/7.28"	125pcs	1/4"NPT	Trigger	70-100psi



21 GA HEADLESS PINNER

MT840

1 1/2" Headless Mini Brad Pinner

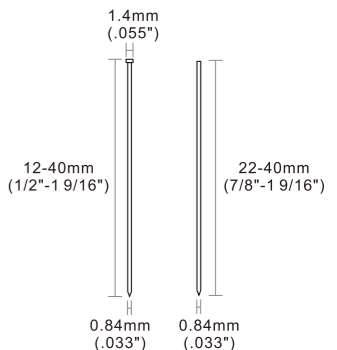
FEATURES

- Suitable for headed and headless pins
- Powerful for heavy-duty applications
- Rear exhaust with embedded silencer
- Secondary trigger design
- Automatic adjustment magazine

APPLICATIONS

Windows / Door / Cabinets / Interior Decoration

FASTENER



Type: Glued Strip Headless Pins

Mini Brad Nails

Gauge size: 21GA

Material: Galvanized, Stainless

Weight	Length	Width	Height	Capacity	Air Inlet	Trigger	Operating Pressure
1.19kg/2.62lbs	256mm/10.08"	60mm/2.36"	208mm/8.18"	100pcs	1/4"NPT	Trigger	80-100psi



23 GA HEADLESS PINNER

MP635B

1 3/8" Headless/Mini Brad Pinner

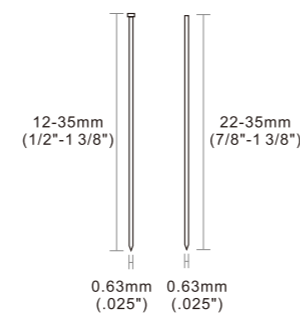
FEATURES

- Well-balanced ergonomically designed
- Powerful for heavy-duty applications
- Rear exhaust with embedded silencer
- Secondary trigger design
- Automatic adjustment magazine

APPLICATIONS

Windows / Door / Cabinets / Interior Decoration

FASTENER



Type: Glued Strip Headless Pins

Mini Brad Nails

Gauge size: 23GA

Material: Galvanized, Stainless

Weight	Length	Width	Height	Capacity	Air Inlet	Trigger	Operating Pressure
0.91kg/2.01lbs	223mm/8.78"	52mm/2.05"	196mm/7.72"	100pcs	1/4"NPT	Trigger	70-100psi



21 GA HEADLESS PINNER

MT850

2" Headless/Mini Brad Pinner

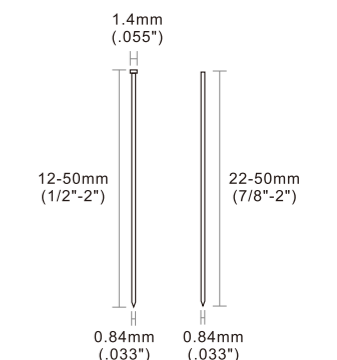
FEATURES

- Suitable for headed and headless pins
- Powerful for heavy-duty applications
- Rear exhaust with embedded silencer
- Secondary trigger design
- Automatic adjustment magazine

APPLICATIONS

Windows / Door / Cabinets / Interior Decoration

FASTENER



Type: Glued Strip Headless Pins

Mini Brad Nails

Gauge size: 21GA

Material: Galvanized, Stainless

Weight	Length	Width	Height	Capacity	Air Inlet	Trigger	Operating Pressure
1.3kg/2.87lbs	256mm/10.7"	60mm/2.36"	227mm/8.93"	100pcs	1/4"NPT	Trigger	80-100psi

STAPLER



21 GA FINE WIRE STAPLER 8016B 1/2" Fine Wire Stapler



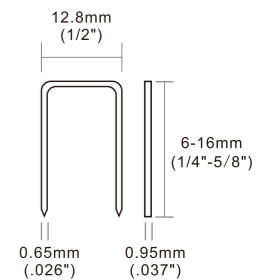
FEATURES

- Compact and light weight design
- Ergonomic handle with rubber comfort grip
- Durable driver and bumper for long life

APPLICATIONS

Upholstery / Furniture / Cabinets / Car Seat / Picture Frames

FASTENER



Model	Weight	Length	Width	Height	Capacity	Air Inlet	Trigger	Operating pressure
8016B	0.94kg/2.07lbs	207mm/8.15"	50mm/2"	145mm/5.71"	125pcs	1/4"NPT	Trigger	70-100psi
1013J	0.93kg/2.05lbs	207mm/8.15"	50mm/2"	145mm/5.71"	100pcs	1/4"NPT	Trigger	70-100psi
7116B	0.92kg/2.03lbs	207mm/8.15"	50mm/2"	145mm/5.71"	180pcs	1/4"NPT	Trigger	70-100psi
1010F	0.92kg/2.01lbs	207mm/8.15"	50mm/2"	145mm/5.71"	140pcs	1/4"NPT	Trigger	70-100psi
1416B	0.95kg/2.09lbs	207mm/8.15"	50mm/2"	145mm/5.71"	100pcs	1/4"NPT	Trigger	70-100psi

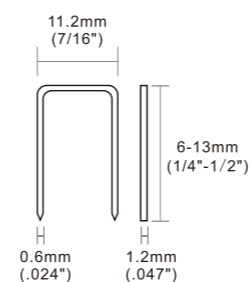
Type: Fine Wire Staples

Gauge size: 21GA

Collation Type: Glued Strip



1013J

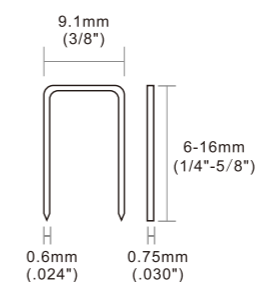


Type: Fine Wire Staples

Gauge size: 20GA

Collation Type: Glued Strip

7116B

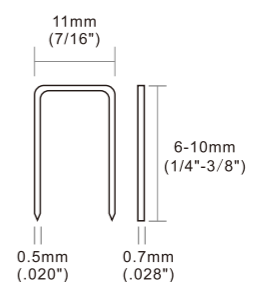


Type: Fine Wire Staples

Gauge size: 22GA

Collation Type: Glued Strip

1010F

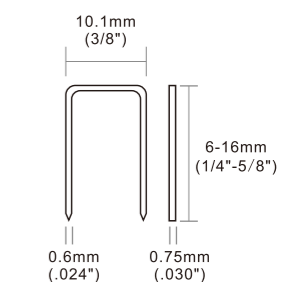


Type: Fine Wire Staples

Gauge size: 23GA

Collation Type: Glued Strip

1416B



Type: Fine Wire Staples

Gauge size: 22GA

Collation Type: Glued Strip

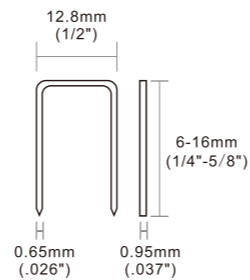
21 GA **MT8016**
FINE WIRE STAPLER **1/2" Crown Wire Stapler**



- FEATURES**
- Compact and light weight design
 - Built in silencer makes soft noise
 - Rear exhaust keeps oil off fabric and face
 - Ergonomic handle with rubber comfort grip

APPLICATIONS
Upholstery / Furniture / Cabinets / Car Seat / Picture Frames

FASTENER



Model	Weight	Length	Width	Height	Capacity	Air Inlet	Trigger	Operating pressure
MT8016	0.94kg/2.07lbs	213mm/8.38"	44mm/1.73"	145mm/5.71"	150pcs	1/4"NPT	Trigger	70-100psi
MT7116	0.94kg/2.07lbs	213mm/8.38"	44mm/1.73"	150mm/5.91"	180pcs	1/4"NPT	Trigger	70-100psi
MT1416	0.94kg/2.07lbs	213mm/8.39"	44mm/1.73"	145mm/5.71"	125pcs	1/4"NPT	Trigger	70-100psi
MT8416	0.94kg/2.07lbs	213mm/8.39"	44mm/1.73"	145mm/5.71"	125pcs	1/4"NPT	Trigger	70-100psi

Type: Fine Wire Staples
Gauge size: 22GA
Collation Type: Glued Strip



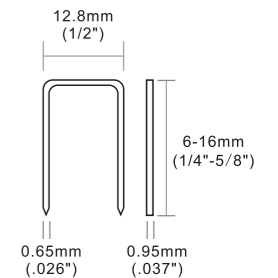
21 GA **MT8016S**
FINE WIRE STAPLER **1/2" Crown Fine Wire Stapler**



- FEATURES**
- Secondary trigger, safe for the operator
 - Compact and light weight design
 - Built in silencer makes soft noise
 - Rear exhaust keeps oil off fabric and face

APPLICATIONS
Upholstery / Furniture / Cabinets / Car Seat / Picture Frames

FASTENER



Model	Weight	Length	Width	Height	Capacity	Air Inlet	Trigger	Operating pressure
MT8016S	0.95kg/2.09lbs	213mm/8.38"	44mm/1.73"	145mm/5.71"	150pcs	1/4"NPT	Trigger	70-100psi
MT7116S	0.95kg/2.09lbs	213mm/8.38"	44mm/1.73"	150mm/5.91"	180pcs	1/4"NPT	Trigger	70-100psi
MT5016s	0.92kg/2.03lbs	207mm/8.15"	44mm/1.73"	145mm/5.71"	114pcs	1/4"NPT	Trigger	70-100psi
MT1416S	0.95kg/2.09lbs	213mm/8.39"	43mm/1.69"	145mm/5.71"	125pcs	1/4"NPT	Trigger	70-100psi
MT8416S	0.95kg/2.09lbs	213mm/8.39"	43mm/1.69"	145mm/5.71"	125pcs	1/4"NPT	Trigger	70-100psi

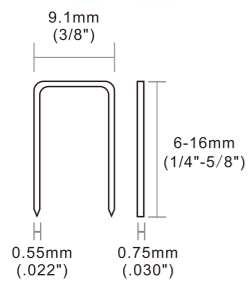
Type: Fine Wire Staples
Gauge Size: 21GA
Collation Type: Glued Strip



MT7116



22 GA
FINE WIRE STAPLER

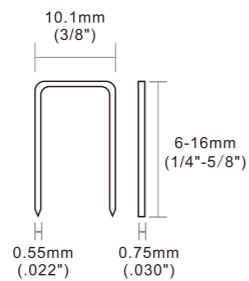


Type: Fine Wire Staples
Gauge size: 22GA
Collation Type: Glued Strip

MT1416



22 GA
FINE WIRE STAPLER

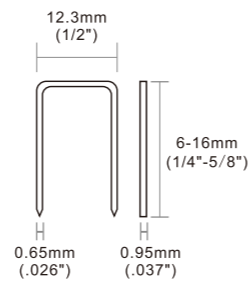


Type: Fine Wire Staples
Gauge size: 22GA
Collation Type: Glued Strip

MT8416



21 GA
FINE WIRE STAPLER

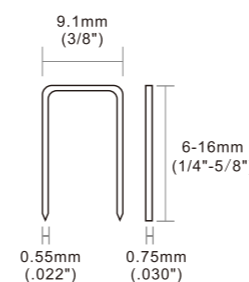


Type: Fine Wire Staples
Gauge size: 21GA
Collation Type: Glued Strip

MT7116S



22 GA
FINE WIRE STAPLER

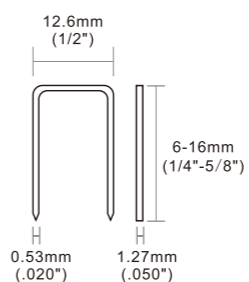


Type: Fine Wire Staples
Gauge size: 22GA
Collation Type: Glued Strip

MT5016S



20 GA
FINE WIRE STAPLER

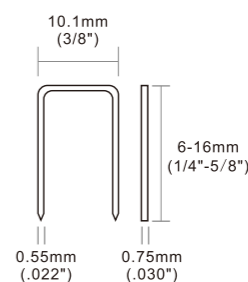


Type: Fine Wire Staples
Gauge size: 20GA
Collation Type: Glued Strip

MT1416S



22 GA
FINE WIRE STAPLER

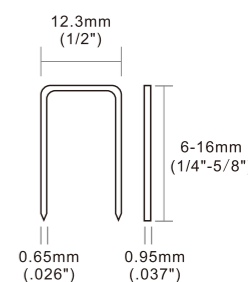


Type: Fine Wire Staples
Gauge size: 22GA
Collation Type: Glued Strip

MT8416S



21 GA
FINE WIRE STAPLER



Type: Fine Wire Staples
Gauge size: 21GA
Collation Type: Glued Strip

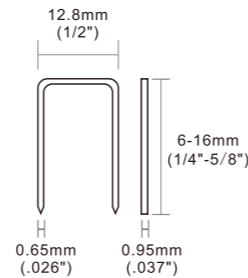
21 GA **MT8016LN**
FINE WIRE STAPLER **1/2" Crown Fine Wire Stapler**



- FEATURES**
- Compact and light weight design
 - Built in silencer makes soft noise
 - Rear exhaust keeps oil off fabric and face
 - Ergonomic handle with rubber comfort grip
 - Durable driver and bumper for long life

APPLICATIONS
Upholstery / Furniture / Cabinets / Car Seat / Picture Frames

FASTENER



Model	Weight	Length	Width	Height	Capacity	Air Inlet	Trigger	Operating pressure
MT8016LN	1.03kg/2.27lbs	221mm/8.70"	43mm/1.69"	192mm/7.55"	150pcs	1/4"NPT	Trigger	70-100psi
MT7116LN	1.03kg/2.27lbs	221mm/8.70"	43mm/1.69"	192mm/7.55"	180pcs	1/4"NPT	Trigger	70-100psi
MT5016LN	1.03kg/2.27lbs	221mm/8.70"	43mm/1.69"	192mm/7.55"	114pcs	1/4"NPT	Trigger	70-100psi

Type: Fine Wire Staples

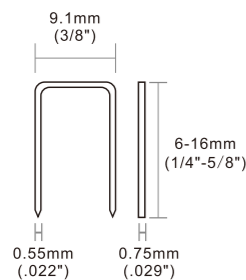
Gauge size: 21GA

Collation Type: Glued Strip

MT7116LN



22 GA
FINE WIRE STAPLER



Type: Fine Wire Staples

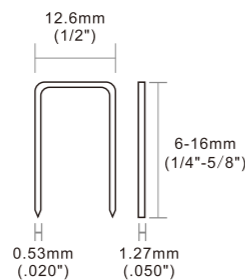
Gauge size: 22GA

Collation Type: Glued Strip

MT5016LN



20 GA
FINE WIRE STAPLER



Type: Fine Wire Staples

Gauge size: 20GA

Collation Type: Glued Strip



Lengthen nose design easier to reach tight space



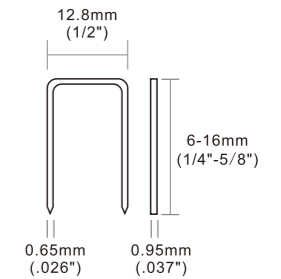
21 GA **8016F2**
FINE WIRE STAPLER **1/2" Crown Fine Wire Stapler**



- FEATURES**
- Built in silencer makes soft noise
 - Rear exhaust keeps oil off fabric and face
 - Ergonomic handle with rubber comfort grip
 - One hand magazine opening

APPLICATIONS
Upholstery / Furniture / Cabinets / Car Seat / Picture Frames

FASTENER



Weight	Length	Width	Height	Capacity	Air Inlet	Trigger	Operating pressure
1.0kg/2.20lbs	232mm/9.13"	39mm/1.53"	146mm/5.75"	150pcs	1/4"NPT	Trigger	70-100psi

Type: Fine Wire Staples

Gauge Size: 21GA

Collation Type: Glued Strip

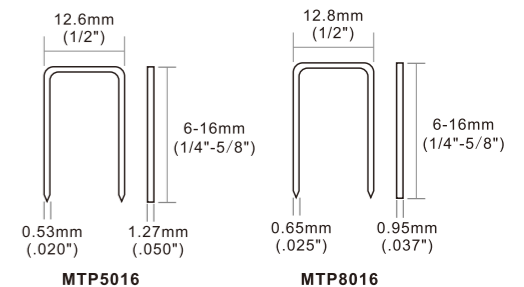
20 GA **MTP5016**
FINE WIRE STAPLER **1/2" Fine Wire Stapler**



- FEATURES**
- Built in silencer
 - Rear exhaust
 - Rubber comfort grip

APPLICATIONS
Furniture / Cabinets / Car Seat / Picture Frame / Bedding

FASTENER



Model	Weight	Length	Width	Height	Capacity	Air Inlet	Trigger	Operating pressure
MTP5016	1.50kg/3.31lbs	230mm/9.05"	60mm/2.36"	225mm/8.85"	125pcs	1/4"NPT	Trigger	70-100psi
MTP8016	1.50kg/3.31lbs	230mm/9.05"	60mm/2.36"	225mm/8.85"	125pcs	1/4"NPT	Trigger	70-120psi

Type: Fine Wire Staples

Gauge Size: 20GA/ 21GA

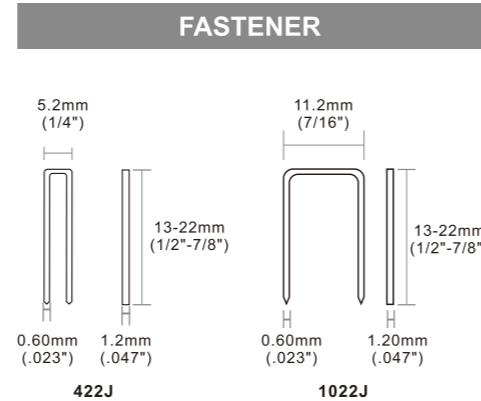
Collation Type: Glued Strip

20 GA **422J**
FINE WIRE STAPLER **1/4" Crown Fine Wire Stapler**



- FEATURES**
- Compact and light weight design
 - Ergonomic handle with rubber comfort grip
 - Durable driver and bumper for long life

APPLICATIONS
Upholstery / Furniture / Cabinets / Car Seat / Picture Frames



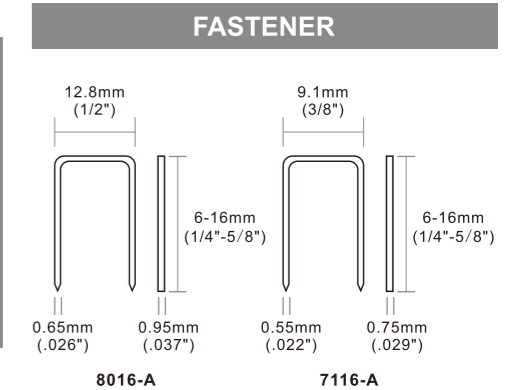
Model	Weight	Length	Width	Height	Capacity	Air Inlet	Trigger	Operating pressure	Type: Fine Wire Staples
422J	1.17kg/2.58lbs	240mm/9.44"	58mm/2.28"	168mm/6.61"	100pcs	1/4"NPT	Trigger	70-100psi	Gauge Size: 20GA
1022J	1.30kg/2.87lbs	240mm/9.44"	55mm/2.16"	168mm/6.61"	100pcs	1/4"NPT	Trigger	70-100psi	Collation Type: Glued Strip

21 GA **8016-A**
FINE WIRE STAPLER **1/2" Crown Fine Wire Stapler**



- FEATURES**
- Secondary trigger to avoid accident
 - Built in silencer makes soft noise
 - Rear exhaust keeps oil off fabric and face
 - Ergonomic handle with rubber comfort grip
 - Rapid firing type for high efficiency

APPLICATIONS
Upholstery / Furniture / Cabinets / Car Seat / Picture Frames



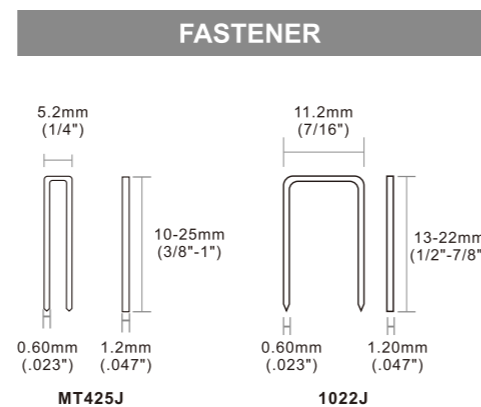
Model	Weight	Length	Width	Height	Capacity	Air Inlet	Trigger	Operating pressure	Type: Fine Wire Staples
8016-A	1.0kg/2.20lbs	223mm/8.78"	41mm/1.61"	153mm/6.02"	150pcs	1/4"NPT	Trigger	70-100psi	Gauge Size: 21GA/22GA
7116-A	1.0kg/2.20lbs	223mm/8.78"	41mm/1.61"	153mm/6.02"	150pcs	1/4"NPT	Trigger	70-100psi	Collation Type: Glued Strip

20 GA **MT425J**
FINE WIRE STAPLER **1/4" Crown Fine Wire Stapler**



- FEATURES**
- 360° exhaust deflector
 - Rubber comfort grip
 - Powerful
 - Light weight

APPLICATIONS
Upholstery / Furniture / Cabinets / Car Seat / Picture Frames



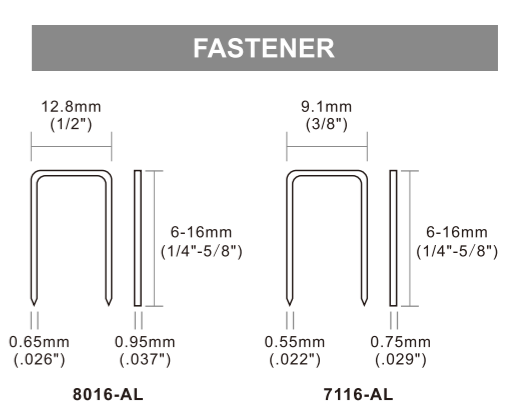
Model	Weight	Length	Width	Height	Capacity	Air Inlet	Trigger	Operating pressure	Type: Fine Wire Staples
MT425J	1.17kg/2.58lbs	240mm/9.44"	58mm/2.28"	186mm/7.32"	100pcs	1/4"NPT	Trigger	70-100psi	Gauge Size: 20GA
MT1025J	1.17kg/2.58lbs	240mm/9.44"	58mm/2.28"	186mm/7.32"	100pcs	1/4"NPT	Trigger	70-100psi	Collation Type: Glued Strip

21 GA **8016-AL**
FINE WIRE STAPLER **1/2" Crown Fine Wire Stapler**



- FEATURES**
- Secondary trigger to avoid accident
 - Rapid firing type for high efficiency
 - Built in silencer makes soft noise
 - Long magazine design
 - Ergonomic handle with rubber comfort grip

APPLICATIONS
Upholstery / Furniture / Cabinets / Car Seat / Picture Frames



Model	Weight	Length	Width	Height	Capacity	Air Inlet	Trigger	Operating pressure	Type: Fine Wire Staples
8016-AL	1.17kg/2.58lbs	355mm/13.98"	41mm/1.61"	153mm/6.02"	250pcs	1/4"NPT	Trigger	70-100psi	Gauge Size: 21GA/22GA
7116-AL	1.17kg/2.58lbs	355mm/13.98"	41mm/1.61"	153mm/6.02"	300pcs	1/4"NPT	Trigger	70-100psi	Collation Type: Glued Strip



16 GA MEDIUM WIRE STAPLE **635TR**
5/16" Crown Medium Wire Stapler

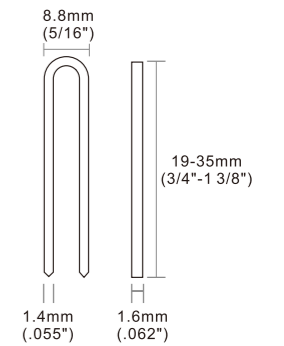
FEATURES

- Powerful
- Rubber comfort grip
- Well-balanced
- Light weight
- Rapid firing

APPLICATIONS

Furniture / Cabinets / Windows / Door

FASTENER



Weight	Length	Width	Height	Capacity	Air Inlet	Trigger	Operating pressure
1.95kg/4.3lbs	310mm/12.20"	73mm/2.87"	246mm/9.68"	100pcs	1/4"NPT	Contact	80-120psi

Type: Heavy Wire Staples
Gauge Size: 16GA
Collation Type: Glued Strip

18 GA MEDIUM WIRE STAPLE **440KB**
1/4" Crown Medium Wire Stapler

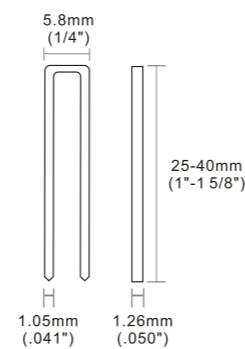
FEATURES

- Powerful
- Rubber comfort grip
- Well-balanced

APPLICATIONS

Furniture / Cabinets / Windows / Door

FASTENER



Weight	Length	Width	Height	Capacity	Air Inlet	Trigger	Operating pressure
2.1kg/4.63lbs	298mm/11.73"	73mm/2.87"	270mm/10.62"	140pcs	1/4"NPT	Contact	80-120psi

Type: Medium Wire Staples
Gauge Size: 18GA
Collation Type: Glued Strip

18 GA MEDIUM WIRE STAPLE **MT432KLM**
1/4" Crown Medium Wire Stapler

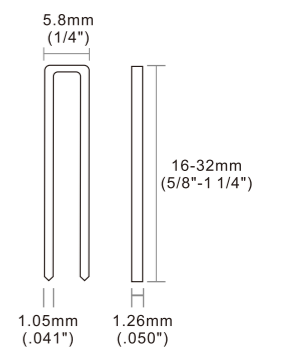
FEATURES

- Light weight
- Rubber comfort grip
- Single and rapid firing switchable mechanism
- Adjustable depth control

APPLICATIONS

Furniture / Cabinets / Windows / Door

FASTENER



Weight	Length	Width	Height	Capacity	Air Inlet	Trigger	Operating Pressure
1.45kg/3.2lbs	300mm/11.81"	60mm/2.36"	220mm/8.66"	140pcs	1/4"NPT	Contact	80-120psi

Type: Medium Wire Staples
Gauge Size: 18GA
Collation Type: Glued Strip

18 GA MEDIUM WIRE STAPLE **9240B**
5/16" Crown Medium Wire Stapler

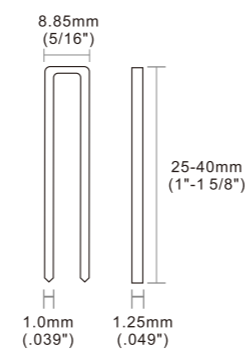
FEATURES

- Powerful
- Rubber comfort grip
- Well-balanced

APPLICATIONS

Furniture / Cabinets / Windows / Door

FASTENER



Weight	Length	Width	Height	Capacity	Air Inlet	Trigger	Operating pressure
1.97kg/4.34lbs	310mm/12.20"	73mm/2.87"	246mm/9.68"	100pcs	1/4"NPT	Contact	80-120psi

Type: Medium Fine Wire Staples
Gauge Size: 18GA
Collation Type: Glued Strip

18 GA MEDIUM WIRE STAPLE **MT440KLM**
1/4" Crown Medium Wire Stapler

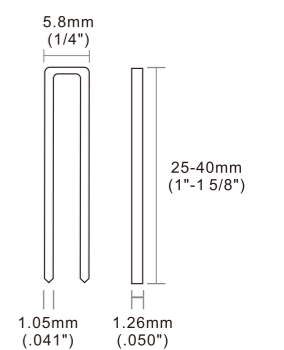
FEATURES

- Light weight
- Rubber comfort grip
- Single and rapid firing switchable mechanism
- Adjustable depth control

APPLICATIONS

Furniture / Cabinets / Windows / Door

FASTENER



Weight	Length	Width	Height	Capacity	Air Inlet	Trigger	Operating Pressure
1.97kg/4.34lbs	300mm/11.81"	70mm/2.75"	242mm/9.52"	140pcs	1/4"NPT	Contact	80-120psi

Type: Medium Wire Staples
Gauge Size: 18GA
Collation Type: Glued Strip



17 GA HEAVY WIRE STAPLER
16 GA HEAVY WIRE STAPLER

MT-N851-H

7/16" Crown Heavy Stapler

FEATURES

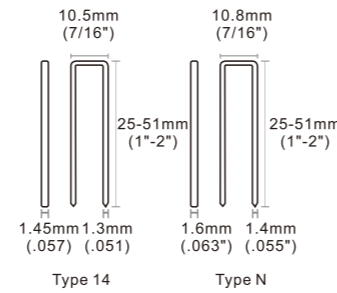
- Powerful for heavy-duty applications
- Well-balanced and light weight design
- Depth control with a simple adjustable knob
- Durable driver and bumper for long life

APPLICATIONS

Solid Wood Furniture / Sofa Frame / Wood Case / Packaging

Weight	Length	Width	Height	Capacity	Air Inlet	Trigger	Operating Pressure
2.5kg/5.51lbs	370mm/14.56"	93mm/3.66"	288mm/11.33"	140pcs	1/4"NPT	Contact	85-120psi

FASTENER



Type: Heavy Wire Staples
Gauge Size: 17GA/16GA
Collation Type: Glued Strip



17 GA HEAVY WIRE STAPLER
16 GA HEAVY WIRE STAPLER

14/40

7/16" Crown Heavy Stapler

FEATURES

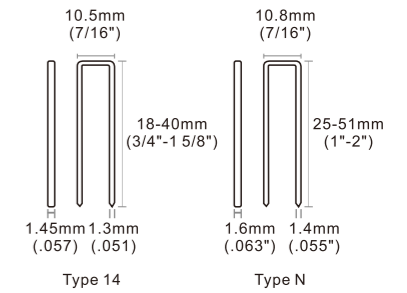
- Powerful for heavy-duty applications
- Well-balanced design
- Durable driver and bumper for long life

APPLICATIONS

Solid Wood Furniture / Sofa Frame / Wood Case / Packaging

Weight	Length	Width	Height	Capacity	Air Inlet	Trigger	Operating Pressure
2.1kg/4.63lbs	273mm/10.75"	70mm/2.76"	228mm/8.98"	125pcs	1/4"NPT	Contact	85-120psi

FASTENER



Type: Heavy Wire Staples
Gauge Size: 17GA/16GA
Collation Type: Glued Strip



17 GA HEAVY WIRE STAPLER
16 GA HEAVY WIRE STAPLER

N851-L

7/16" Crown Heavy Stapler

FEATURES

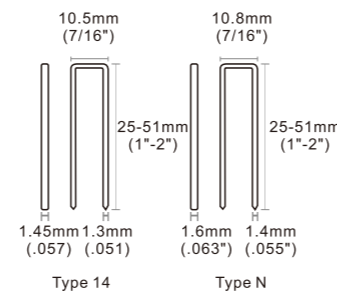
- Light weight
- Well-balanced
- Rapid firing
- Quick jams release

APPLICATIONS

Solid Wood Furniture / Sofa Frame / Wood Case / Packaging

Weight	Length	Width	Height	Capacity	Air Inlet	Trigger	Operating Pressure
2.2kg/4.85lbs	365mm/14.37"	83mm/3.27"	280mm/11.02"	140pcs	1/4"NPT	Contact	85-120psi

FASTENER



Type: Heavy Wire Staples
Gauge Size: 17GA/16GA
Collation Type: Glued Strip



17 GA HEAVY WIRE STAPLER
16 GA HEAVY WIRE STAPLER

14/50

7/16" Crown Heavy Stapler

FEATURES

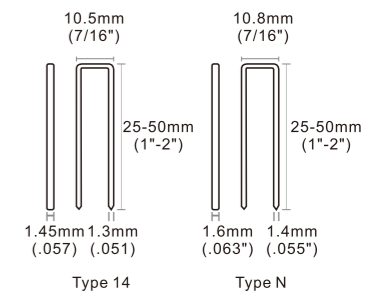
- Powerful for heavy-duty applications
- Well-balanced design
- Durable driver and bumper for long life

APPLICATIONS

Solid Wood Furniture / Sofa Frame / Wood Case / Packaging

Weight	Length	Width	Height	Capacity	Air Inlet	Trigger	Operating Pressure
2.14kg/4.72lbs	366mm/14.41"	70mm/2.76"	244mm/9.61"	140pcs	1/4"NPT	Contact	85-120psi

FASTENER



Type: Heavy Wire Staples
Gauge Size: 17GA/16GA
Collation Type: Glued Strip



16 GA HEAVY WIRE STAPLER

N851F

7/16" Crown Heavy Stapler

FEATURES

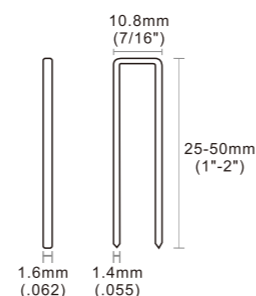
- Powerful
- Well-balanced
- Rubber comfort grip

APPLICATIONS

Solid wood furniture / Wooden packing boxes
Sofa frame / Sheathing roof / Decking
Subflooring

Weight	Length	Width	Height	Capacity	Air Inlet	Trigger	Operating pressure
2.8kg/6.17lbs	345mm/13.58"	100mm/3.93"	297mm/11.69"	140pcs	1/4"NPT	Contact	85-120psi

FASTENER



Type: Heavy Wire Staples
Gauge Size: 16GA
Collation Type: Glued Strip



16 GA HEAVY WIRE STAPLER

PW2638-L

1" Crown Heavy Stapler

FEATURES

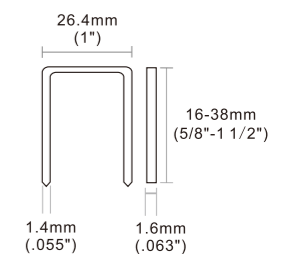
- Light weight
- Rapid firing
- Rubber comfort grip
- Quick jams release

APPLICATIONS

Solid Wood Furniture / Sofa Frame / Wood Case / Packaging

Weight	Length	Width	Height	Capacity	Air Inlet	Trigger	Operating Pressure
2.5kg/5.51lbs	372mm/14.64"	83mm/3.26"	272mm/10.70"	140pcs	3/8"NPT	Contact	85-120psi

FASTENER



Type: Heavy Wire Staples
Gauge Size: 16GA
Collation Type: Glued Strip

BRAD NAILER

18 GA BRAD NAILER MTF32

1 1/4" Brad Nailer

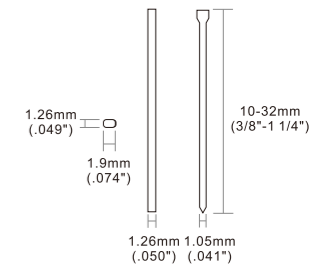
FEATURES

- 360° exhaust deflector
- Light weight & Well-balanced
- Powerful for heavy duty applications
- Ergonomic handle with rubber comfort grip

APPLICATIONS

Windows/Door/Cabinets/Interior Decoration

FASTENER



Weight	Length	Width	Height	Capacity	Air Inlet	Trigger	Operating pressure
1.09kg/2.40lbs	240mm/9.44"	60mm/3.66"	186mm/7.32"	100pcs	1/4"NPT	Trigger	60-100psi

Type: Brad Nails
Gauge size: 18GA
Collation Type: Glued Strip

18 GA BRAD NAILER F32D

1 1/4" Brad Nailer

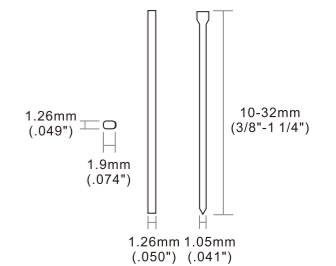
FEATURES

- 360° exhaust deflector
- Light weight & Well-balanced
- Powerful for heavy duty applications
- Quick jams release

APPLICATIONS

Windows/Door/Cabinets/Interior Decoration

FASTENER



Weight	Length	Width	Height	Capacity	Air Inlet	Trigger	Operating pressure
1.22kg/2.69lbs	247mm/9.72"	55mm/2.16"	190mm/7.48"	100pcs	1/4"NPT	Trigger	60-100psi

Type: Brad Nails
Gauge size: 18GA
Collation Type: Glued Strip

18 GA BRAD NAILER F32

1 1/4" Brad Nailer

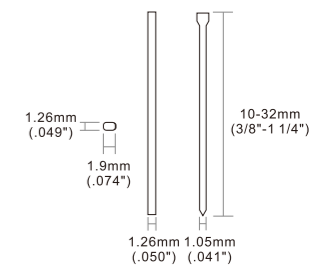
FEATURES

- Compact & durable gravity casting body
- Well-balanced
- Powerful for heavy duty applications
- Quick & easy side loading

APPLICATIONS

Windows/Door/Cabinets/Interior Decoration

FASTENER



Weight	Length	Width	Height	Capacity	Air Inlet	Trigger	Operating pressure
1.25kg/2.76lbs	240mm/9.44"	60mm/2.36"	125mm/4.92"	100pcs	1/4"NPT	Trigger	60-100psi

Type: Brad Nails
Gauge size: 18GA
Collation Type: Glued Strip





18 GA BRAD NAILER
F50G
2" Brad Nailer

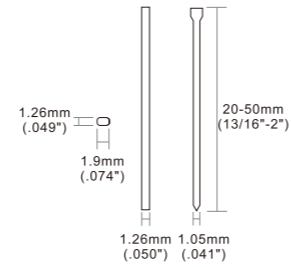
FEATURES

- Compact & durable gravity casting body
- Well-balanced
- Powerful for heavy duty applications
- Quick & easy side loading

APPLICATIONS

Windows/Door/Cabinets/Interior Decoration

FASTENER



Type: Brad Nails

Gauge size: 18GA

Collation Type: Glued Strip

Weight	Length	Width	Height	Capacity	Air Inlet	Trigger	Operating pressure
1.38kg/3.04lbs	240mm/9.44"	65mm/2.55"	230mm/9.05"	100pcs	1/4"NPT	Contact	70-100psi



16 GA BRAD NAILER
T50MA
2" Brad Nailer

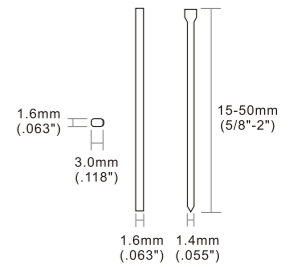
FEATURES

- Compact & durable gravity casting body
- Well-balanced
- Powerful for heavy duty applications
- Quick and easy side loading

APPLICATIONS

Windows/Door/Cabinets/Interior Decoration

FASTENER



Type: Brad Nails

Gauge size: 16GA

Collation Type: Glued Strip

Weight	Length	Width	Height	Capacity	Air Inlet	Trigger	Operating pressure
2.44kg/5.38lbs	312mm/12.28"	78mm/3.07"	257mm/10.11"	100pcs	1/4"NPT	Contact	85-120psi



18 GA BRAD NAILER
F50C
2" Brad Nailer

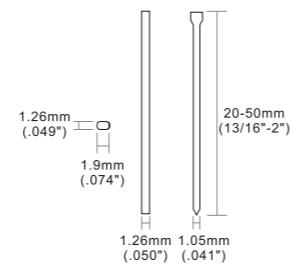
FEATURES

- 360° exhaust deflector
- Light weight & well-balanced
- Powerful for heavy duty applications
- Quick jams release

APPLICATIONS

Windows/Door/Cabinets/Interior Decoration

FASTENER



Type: Brad Nails

Gauge size: 18GA

Collation Type: Glued Strip

Weight	Length	Width	Height	Capacity	Air Inlet	Trigger	Operating pressure
1.38kg/3.04lbs	250mm/9.84"	57mm/2.24"	238mm/9.37"	100pcs	1/4"NPT	Contact	70-100psi



16 GA BRAD NAILER
FST50
2" Brad Nailer

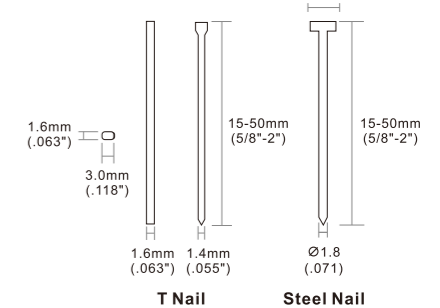
FEATURES

- Compact & durable gravity casting body
- Well-balanced
- Powerful for heavy duty applications
- Quick and easy side loading
- 2 in 1 brad nailer

APPLICATIONS

Windows/Door/Cabinets/Interior Decoration

FASTENER



Type: Brad Nails

Gauge size: 16GA

Collation Type: Glued Strip

Weight	Length	Width	Height	Capacity	Air Inlet	Trigger	Operating pressure
1.59kg/3.51lbs	275mm/10.82"	62mm/2.44"	275mm/10.82"	100pcs	1/4"NPT	Contact	85-120psi



16 GA BRAD NAILER
T50SA
2" Brad Nailer

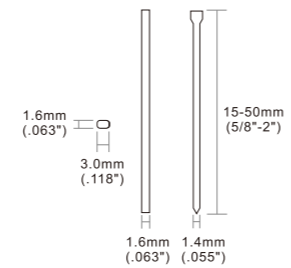
FEATURES

- Compact & durable gravity casting body
- Well-balanced
- Powerful for heavy duty applications
- Quick and easy side loading

APPLICATIONS

Windows/Door/Cabinets/Interior Decoration

FASTENER



Type: Brad Nails

Gauge size: 16GA

Collation Type: Glued Strip

Weight	Length	Width	Height	Capacity	Air Inlet	Trigger	Operating pressure
1.78kg/4.10lbs	294mm/11.57"	77mm/3.03"	255mm/10.03"	100pcs	1/4"NPT	Contact	85-120psi



16 GA BRAD NAILER
T64A
2 1/2" Brad Nailer

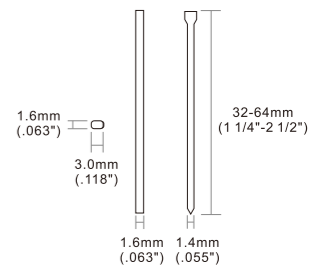
FEATURES

- 360° exhaust deflector
- Light weight & Well-balanced
- Powerful for heavy duty applications
- Quick jams release

APPLICATIONS

Windows/Door/Cabinets/Interior Decoration

FASTENER



Type: Brad Nails

Gauge size: 16GA

Collation Type: Glued Strip

Weight	Length	Width	Height	Capacity	Air Inlet	Trigger	Operating pressure
1.75kg/3.38lbs	298mm/11.73"	73mm/2.87"	282mm/11.10"	100pcs	1/4"NPT	Contact	85-120psi

CONCRETE AND STEEL NAILER



14GA ST38 Concrete T Nailer



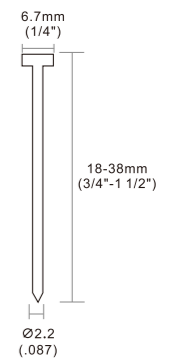
FEATURES

- Well-balanced
- Powerful

APPLICATIONS

Windows/Door/Cabinets/Interior Decoration

FASTENER



Weight	Length	Width	Height	Capacity	Air Inlet	Trigger	Operating pressure
1.95kg/4.30lbs	305mm/12.01"	80mm/3.15"	267mm/10.51"	50pcs	1/4"NPT	Contact	85-120psi

Type: Concrete Nails

Gauge size: 14GA

14GA ST64 Concrete T Nailer



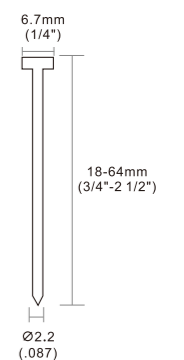
FEATURES

- Well-balanced
- Powerful

APPLICATIONS

Windows/Door/Cabinets/Interior Decoration

FASTENER



Weight	Length	Width	Height	Capacity	Air Inlet	Trigger	Operating pressure
3.0kg/6.61lbs	318mm/12.51"	95mm/3.75"	267mm/10.51"	50pcs	1/4"NPT	Contact	85-120psi

Type: Concrete Nails

Gauge size: 14GA

CS3025 1" Concrete and Steel Nailer



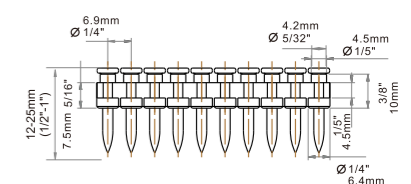
FEATURES

- Works with standard compressed air
- Powerful for heavy duty applications
- Rubber comfort grip
- Durable driver and bumper for long life

APPLICATIONS

Wood to steel / Concrete / Drywall track to steel
Concrete / Concrete furring

FASTENER



Weight	Length	Width	Height	Capacity	Air Inlet	Trigger	Operating pressure
2.78kg/6.13lbs	342mm/13.46"	104mm/4.09"	317mm/12.48"	20pcs	1/4"NPT	Contact	85-120psi

Type: Plastic Collected Concrete Nails

Collation Type: Plastic Collected



MTCS3040L

1 5/8" Concrete and Steel Nailer

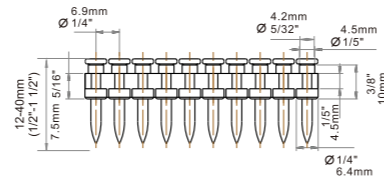
FEATURES

- Works with standard compressed air
- Powerful for heavy duty applications
- Rubber comfort grip
- Durable driver and bumper for long life

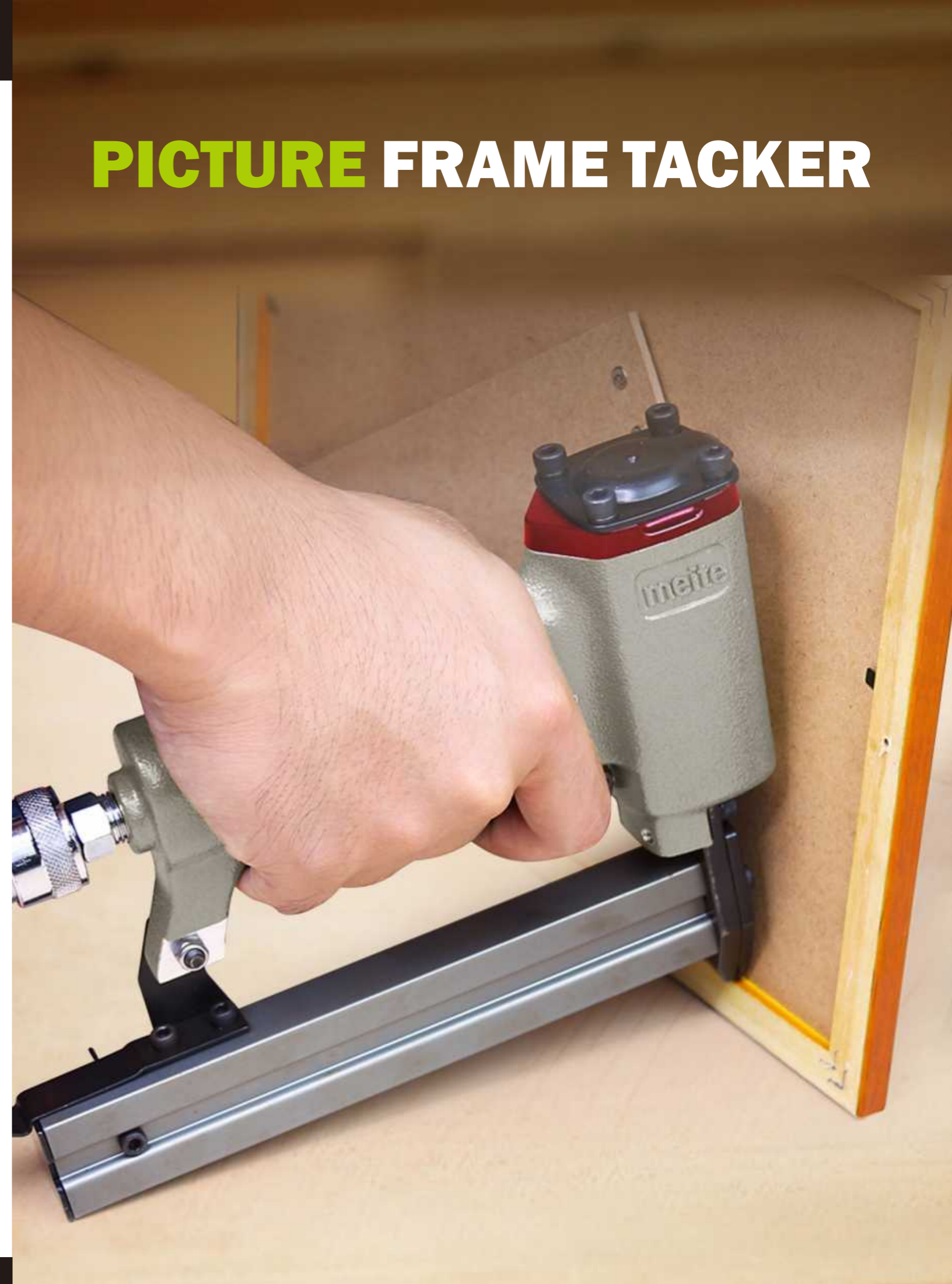
APPLICATIONS

Wood to steel / Concrete / Drywall track to steel
Concrete / Concrete furring

FASTENER



Weight	Length	Width	Height	Capacity	Air Inlet	Trigger	Operating pressure	Type: Plastic Collected Concrete Nails
2.9kg/6.39lbs	342mm/13.46"	104mm/4.09"	337mm/13.26"	20pcs	1/4"NPT	Contact	85-120psi	Collation Type: Plastic Collected



PICTURE FRAME TACKER



P515

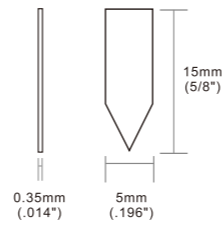
Pneumatic Flex Point Tacker

FEATURES

- Light weight & well-balanced
- Rubber comfort grip
- Ideal for high volume production
- Quick & easy bottom loading

APPLICATIONS
Picture Frame

FASTENER



Type: Flex Point Pins

Weight	Length	Width	Height	Capacity	Air Inlet	Trigger	Operating pressure
0.94kg/2.07lbs	195mm/7.76"	43mm/1.69"	162mm/6.37"	200pcs	1/4"NPT	Trigger	60-100psi



HM515

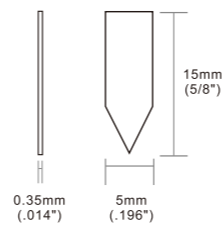
Manual Flex Tacker

FEATURES

- Light weight & well-balanced
- Depth adjustment
- Quick & easy front loading
- Air free, convenient to use

APPLICATIONS
Picture Frame

FASTENER



Type: Flex Point Pins

Weight	Length	Width	Height	Capacity	Air Inlet	Trigger	Operating pressure
0.62kg/1.37lbs	203mm/7.99"	40mm/1.57"	124mm/4.88"	100pcs	/	Manual	/



18 GA
BRAD NAILS

HF18

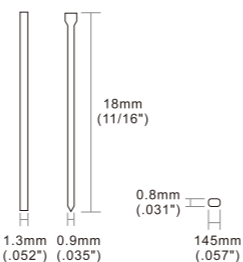
Manual Hard Point Tacker

FEATURES

- Light weight & well-balanced
- Depth adjustment
- Quick & easy front loading
- Air free, convenient to use

APPLICATIONS
Picture Frame

FASTENER



Type: Hard Point Brads

Collation Type: Glued Strip

Weight	Length	Width	Height	Capacity	Air Inlet	Trigger	Operating pressure
0.65kg/1.43lbs	190mm/7.48"	31mm/1.22"	127mm/5"	100pcs	/	Manual	/

V1015B

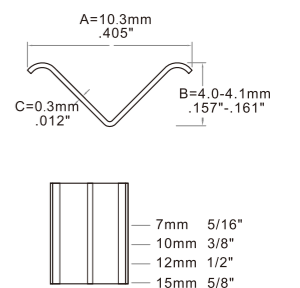
V-Nailer

FEATURES

- Light weight & well-balanced
- Rubber comfort grip
- Ideal for miter joint applications

APPLICATIONS
Picture Frame

FASTENER



Type: V-Nails

Collation Type: Glued Strip



Weight	Length	Width	Height	Capacity	Air Inlet	Trigger	Operating Pressure
1.49kg/3.28lbs	270mm/10.62"	65mm/2.55"	208mm/8.18"	200pcs	1/4"NPT	Trigger	85-120psi

DECO NAILER



ZN1700

Deco Nailer

FEATURES

- Light weight
- Rubber comfort grip
- Magnetic nose piece

APPLICATIONS

Furniture / Picture / Shoes

FASTENER



MODEL	ZN0630	ZN0750	ZN0860
D(mm)	6.3	7.5	8.6
MODEL	ZN0960	ZN1080	ZN1170
D(mm)	9.6	10.8	11.7
MODEL	ZN1230	ZN1400	ZN1620
D(mm)	12.3	14.0	16.2
MODEL	ZN1820	ZN2030	ZN2230
D(mm)	18.2	20.3	22.3
MODEL	ZN2530	ZN2830	ZN3030
D(mm)	25.3	28.3	30.0

Weight	Length	Width	Height	Capacity	Air Inlet	Trigger	Operating Pressure
0.64kg/1.41lbs	208mm/8.81"	42mm/1.65"	174mm/6.85"	1pcs	1/4"NPT	Trigger	60-100psi



Step1
Put the studs in plate



Step2
Put the nose on the studs



Step3
Actuate the trigger to shoot

ZN-12S

Deco Nailer

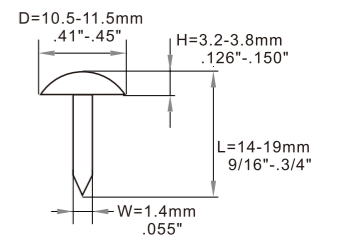
FEATURES

- Speed control feeding
- Light weight & well-balanced
- Rapid & easy-loading
- Ideal for high-volume production

APPLICATIONS

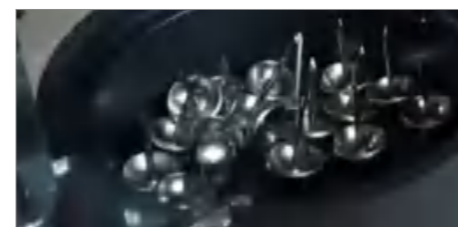
Furniture / Picture / Shoes

FASTENER



Weight	Length	Width	Height	Capacity	Air Inlet	Trigger	Operating Pressure
1.6kg/3.53lbs	245mm/9.64"	95mm/3.74"	200mm/7.87"	100pcs	1/4"NPT	Trigger	60-100psi

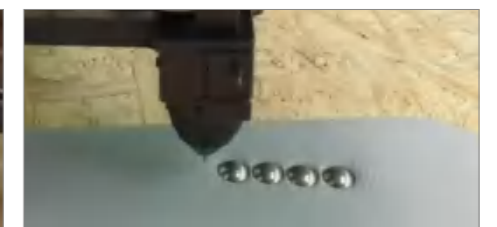
Type:Deco Nail
Collation Type: Galvanized, Stainless



Step1
Put the studs in the magazine set



Step2
Adjust air inlet



Step3
Actuate the trigger to shoot

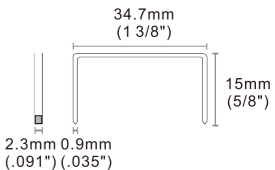
CARTON CLOSING STAPLER

16 GA **HB3515/HB3518** Manual Carton Closing Stapler

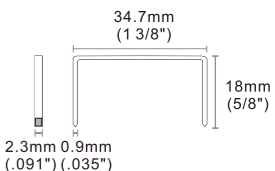
- FEATURES**
- Adjustable depth control
 - Light weight & well-balanced
 - Air free, convenient to use

APPLICATIONS
Carton Box Closing

FASTENER



HB3515



HB3518

Weight	Length	Width	Height	Capacity	Air Inlet	Trigger	Operating Pressure
1.95kg/4.30lbs	360mm/14.17"	105mm/4.13"	267mm/10.51"	100pcs	/	Manual	/

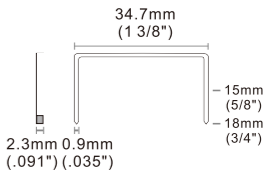
Type: Carton Staples
Gauge Size: 16GA
Collation Type: Glued Strip

16 GA **ADCS-19/ADCS-22** Pneumatic Carton Stapler

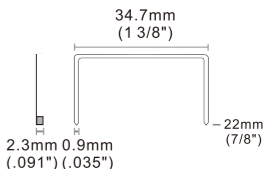
- FEATURES**
- Built in silencer for low noise
 - Light weight & well-balanced
 - Ideal for heavy-volume production

APPLICATIONS
Carton Box Closing

FASTENER



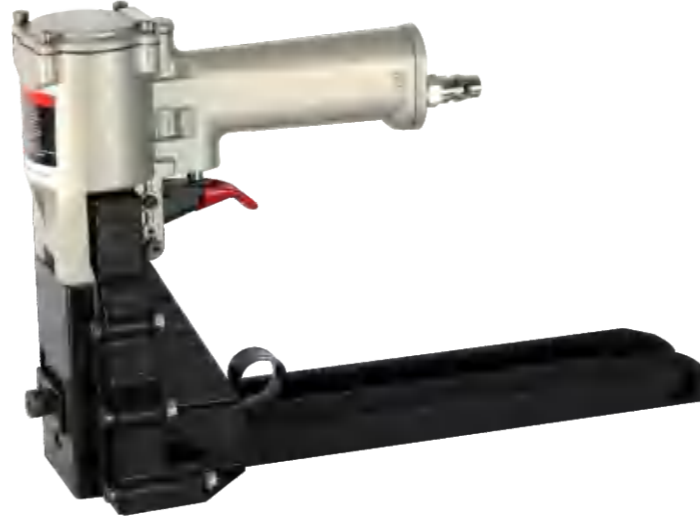
ADCS-19



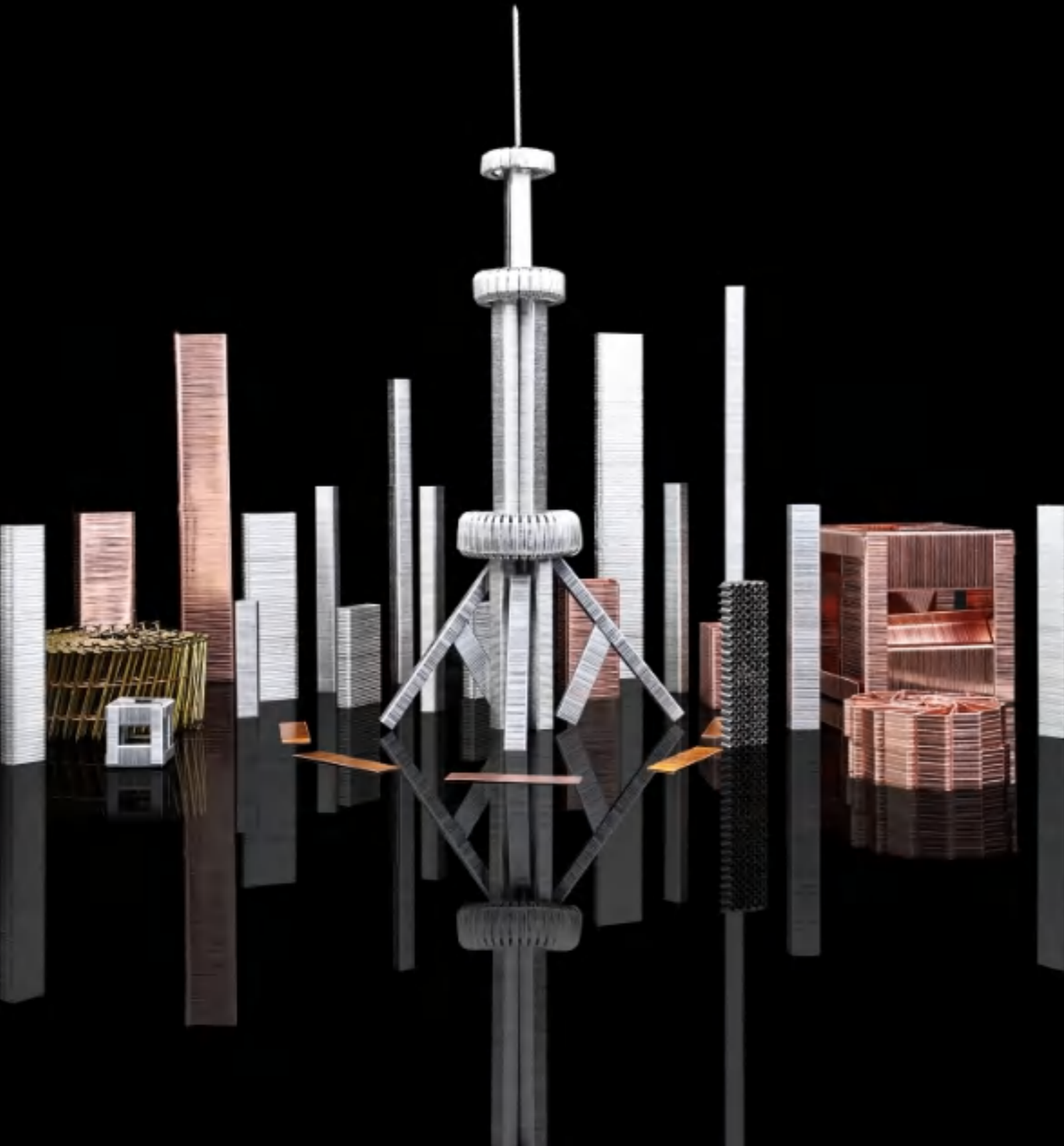
ADCS-22

Weight	Length	Width	Height	Capacity	Air Inlet	Trigger	Operating pressure
2.15kg/4.74lbs	342mm/13.46"	115mm/4.52"	220mm/8.66"	100pcs	1/4"NPT	Trigger	80-120psi

Type: Carton Stapler
Gauge size: 16GA



INDUSTRIAL NAILS



COIL NAILS

FEATURES

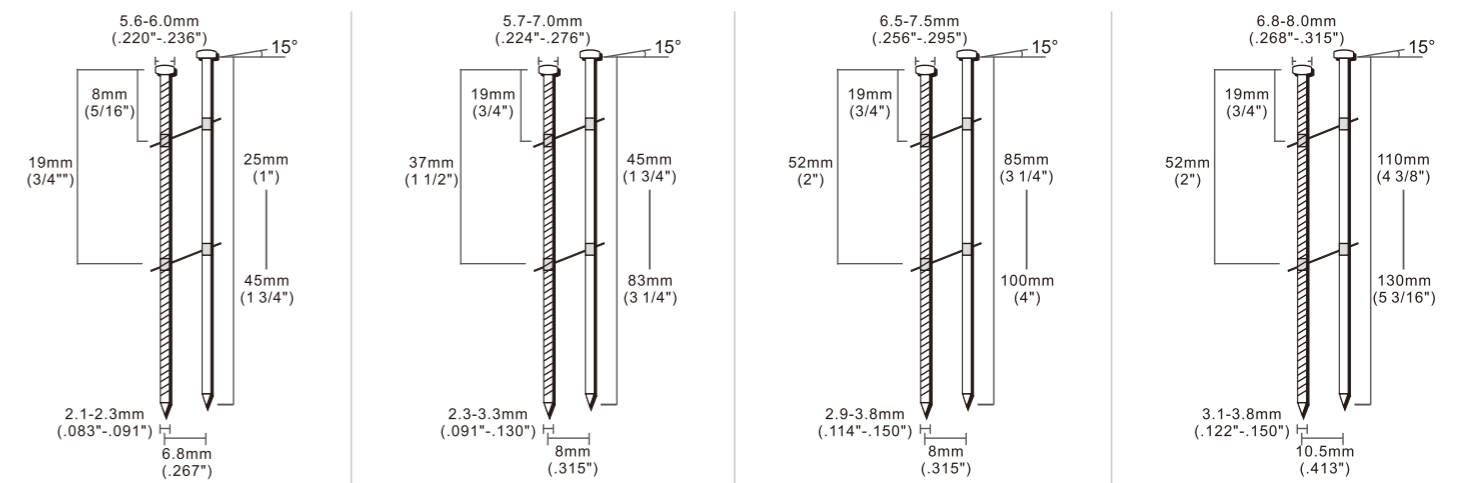
1. Made of high-quality Q235 wire
2. Manufactured by standard, with high tensile strength
3. Precise nail pitch, angle between welding wire and nails, and nailing vertically
4. Strong fastening with deep tread
5. Even anti-rust paint, stronger corrosion resistance

APPLICATIONS

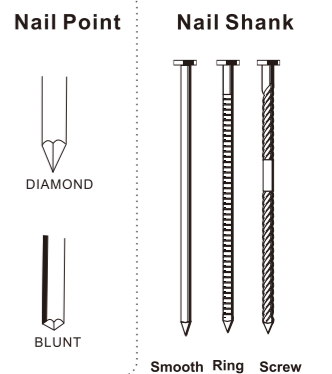
Pallets / Crates / Wood case / Packaging



SPECIFICATIONS



Shank Dia	Length	Head Dia	PCS/Roll
.083"(2.1mm)	1 1/4"-2"(32-50mm)	3/16"(5.1mm)	400PCS/COIL
.090"(2.3mm)	1 1/2"-2 1/4"(38-57mm)	1/5"(5.8mm)	350PCS/COIL
.099"(2.5mm)	1 3/4"-2 1/2"(45-64mm)	1/4"(6.1mm)	300PCS/COIL
.113"(2.87mm)	1 1/4"-3"(57-75mm)	1/4"(6.3mm)	250PCS/COIL
.120"(3.05mm)	2 3/8"-3 3/4"(60-90mm)	9/32"(7.1mm)	250PCS/COIL
.131"(3.33mm)	3"-4"(75-130mm)	9/32"(7.1mm)	120PCS/COIL



Coil Nails Series



JUMBO COIL NAILS



ROOFING COIL NAILS



COMMON COIL NAILS



GALVANIZED COIL NAILS

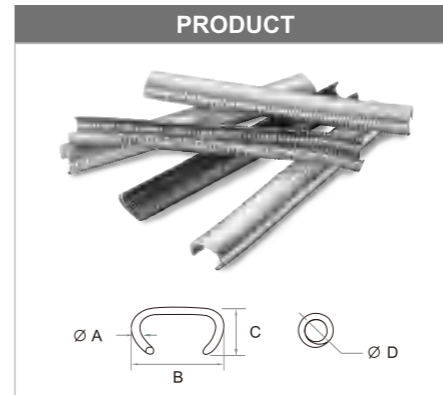


HOT-DIP GALVANIZED COIL NAILS

NAIL SPECIFICATIONS					
MODEL	SIZE	DIAMETER	FINISH	PCS/BOX	BOX / CTN
2125	1"(25mm)	.083"(2.1mm)	Coating	20000	1
2127	1 1/8"(27mm)	.083"(2.1mm)	Coating	20000	1
2128	1 1/8"(28mm)	.083"(2.1mm)	Coating	16000	1
2132	1 1/4"(32mm)	.083"(2.1mm)	Coating	16000	1
2135	1 3/8"(35mm)	.083"(2.1mm)	Coating	16000	1
2138	1 1/2"(38mm)	.083"(2.1mm)	Coating	16000	1
2140	1 9/16"(40mm)	.083"(2.1mm)	Coating	16000	1
2145	1 3/4"(45mm)	.083"(2.1mm)	Coating	12000	1
2150	2"(50mm)	.083"(2.1mm)	Coating	12000	1
2155	2 1/8"(55mm)	.083"(2.1mm)	Coating	12000	1
2157	2 1/4"(57mm)	.083"(2.1mm)	Coating	12000	1
2345	1 3/4"(45mm)	.091"(2.3mm)	Coating	9000	1
2350B	2"(50mm)	.091"(2.3mm)	Coating	9000	1
2355	2 1/8"(55mm)	.091"(2.3mm)	Coating	9000	1
2357B	2 1/4"(57mm)	.091"(2.3mm)	Coating	9000	1
2360	2 3/8"(60mm)	.091"(2.3mm)	Coating	9000	1
2364	2 1/2"(64mm)	.091"(2.3mm)	Coating	9000	1
2545	1 3/4"(45mm)	.098"(2.5mm)	Coating	9000	1
2550	2"(50mm)	.098"(2.5mm)	Coating	9000	1
2557	2 1/4"(57mm)	.098"(2.5mm)	Coating	9000	1
2560	2 3/8"(60mm)	.098"(2.5mm)	Coating	9000	1
2564	2 1/2"(64mm)	.098"(2.5mm)	Coating	9000	1

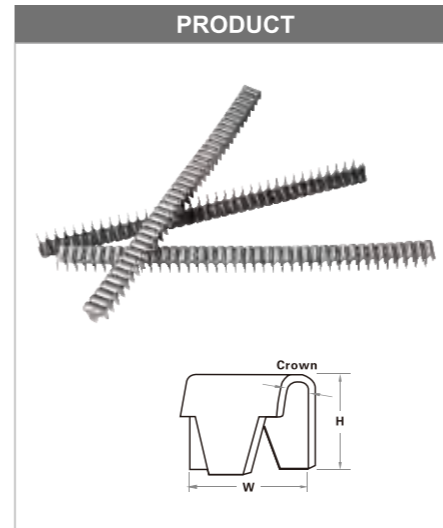
NAIL SPECIFICATIONS					
MODEL	SIZE	DIAMETER	FINISH	PCS/BOX	BOX / CTN
2570	2 3/4"(70mm)	.098"(2.5mm)	Coating	6000	1
2575	3"(75mm)	.098"(2.5mm)	Coating	6000	1
2580	3 1/8"(80mm)	.098"(2.5mm)	Coating	6000	1
2970	2 3/4"(70mm)	.114"(2.9mm)	Coating	4500	1
2976	3"(76mm)	.114"(2.9mm)	Coating	4500	1
2980	3 1/8"(80mm)	.114"(2.9mm)	Coating	4500	1
2990	3 1/2"(90mm)	.114"(2.9mm)	Coating	4500	1
29100	4"(100mm)	.114"(2.9mm)	Coating	2700	1
3170	2 3/4"(70mm)	.122"(3.1mm)	Coating	2700	1
3175	3"(75mm)	.122"(3.1mm)	Coating	2700	1
3180	3 1/8"(80mm)	.122"(3.1mm)	Coating	2700	1
3190	3 1/2"(90mm)	.122"(3.1mm)	Coating	2700	1
3195	3 3/4"(95mm)	.122"(3.1mm)	Coating	2700	1
31100	4"(100mm)	.122"(3.1mm)	Coating	2700	1
31110	4 3/8"(110mm)	.122"(3.1mm)	Coating	2700	1
31120	4 13/16"(120mm)	.122"(3.1mm)	Coating	2700	1
3483	3 1/4"(83mm)	.130"(3.3mm)	Coating	2700	1
3490	3 1/2"(90mm)	.130"(3.3mm)	Coating	2700	1
3495	3 3/4"(95mm)	.130"(3.3mm)	Coating	2700	1
34100	4"(100mm)	.130"(3.3mm)	Coating	2700	1
34120	4 13/16"(120mm)	.130"(3.3mm)	Coating	2700	1
38130	5 3/16"(130mm)	.156"(3.8mm)	Coating	1440	1

15 GA C-RING 16 GA C-RING C-Ring Series



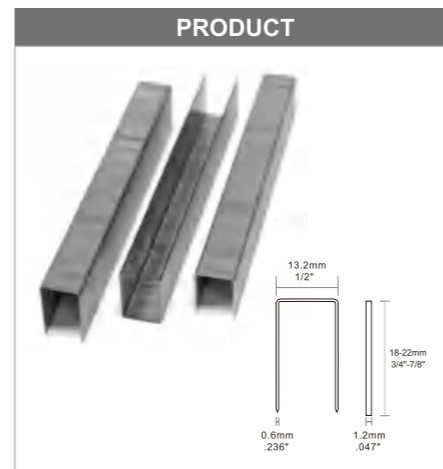
C-RING SPECIFICATIONS						
MODEL	A	B	C	D	PCS	BOX
SC7	.071"(1.8mm)	1"(24mm)	.472"(12mm)	.217"-.315"(5.5-8mm)	10000	4
SC760	.063"(1.6mm)	5/8"(16.9mm)	.343"(8.7mm)	.102"-.142"(2.6-3.6mm)	18000	4
C56	.079"(2.0mm)	1 1/2"(39mm)	.807"(20.5mm)	.590"-.709"(15-18mm)	10000	1
C60	.079"(2.0mm)	2 3/4"(52mm)	1.083"(27.5mm)	.709"-.787"(18-20mm)	10000	1

Clips Series



CLIPS SPECIFICATIONS						
Tool	Model	Crown	Height	Width	Thickness	Type
M66C	CL-3	6.2mm	12.3mm	22mm	0.8mm	Strip
	CL-4	6.2mm	14.1mm	22mm	0.8mm	Strip
	CL-5	6.2mm	15.5mm	19mm	0.8mm	Strip
	CL-71	6.2mm	12.3mm	19mm	0.8mm	Strip
	CL-72	6.2mm	14.1mm	19mm	0.8mm	Strip
M65B	CL-23	4.8mm	12.7mm	22mm	0.8mm	Strip
	CL-24	4.8mm	15.5mm	22mm	0.8mm	Strip
	CL-73	4.8mm	12.7mm	19mm	0.8mm	Strip
	CL-74	4.8mm	15.5mm	19mm	0.8mm	Strip
M46B	CL-12	6.2mm	11.0mm	11mm	0.8mm	Strip
	CL-14	6.2mm	12.7mm	11mm	0.8mm	Strip
	CL-16	6.2mm	14.5mm	11mm	0.8mm	Strip
M45	CL-18	6.2mm	13.3mm	11mm	0.8mm	Strip
	CL-13	4.8mm	10.7mm	11mm	0.8mm	Strip
	CL-15	4.8mm	10mm	11mm	0.8mm	Strip
	CL-17	4.8mm	12.7mm	11mm	0.8mm	Strip

88 Series



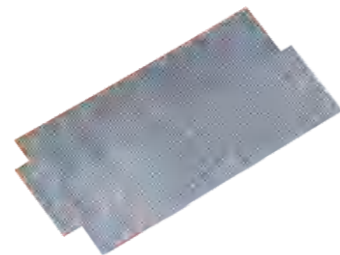
STAPLE SPECIFICATIONS				
MODEL	SIZE	FINISH	BOX / QTY	BOX / CTN
1218J	3/4"(18mm)	Galv	3000	20
1220J	13/16"(20mm)	Galv	3000	20
1222J	7/8"(22mm)	Galv	3000	20

HEADLESS PIN SERIES

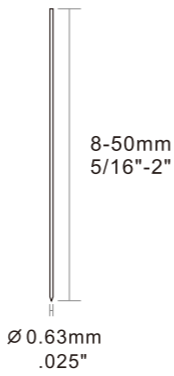
PINS SPECIFICATIONS				
MODEL	SIZE	FINISH	PCS/BOX	BOX / CTN
P608	5/16"(8mm)	Copper Coating / Stainless	10000	48
P610	3/8"(10mm)	Copper Coating / Stainless	10000	48
P612	1/2"(12mm)	Copper Coating / Stainless	10000	48
P615	5/8"(15mm)	Copper Coating / Stainless	10000	48
P618	3/4"(18mm)	Copper Coating / Stainless	10000	48
P620	13/16"(20mm)	Copper Coating / Stainless	10000	48
P622	7/8"(22mm)	Copper Coating / Stainless	10000	48
P625	1"(25mm)	Copper Coating / Stainless	10000	48
P630	1 3/16"(30mm)	Copper Coating / Stainless	10000	48
P635	1 3/8"(35mm)	Copper Coating / Stainless	10000	24/48
P640	1 9/16"(40mm)	Copper Coating / Stainless	10000	48
P645	1 3/4"(45mm)	Copper Coating / Stainless	10000	48
P650	2"(50mm)	Copper Coating / Stainless	10000	48



Copper



Stainless



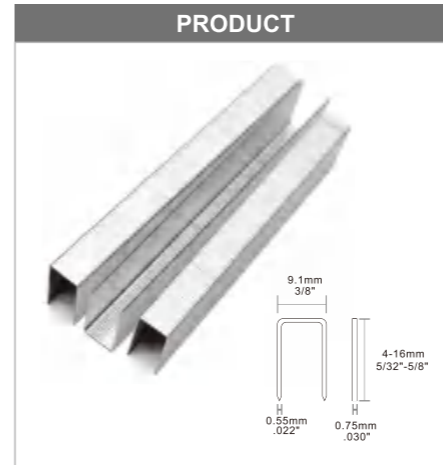
Plastic Box Packing



Small Pack

22 GA FINE WIRE STAPLE

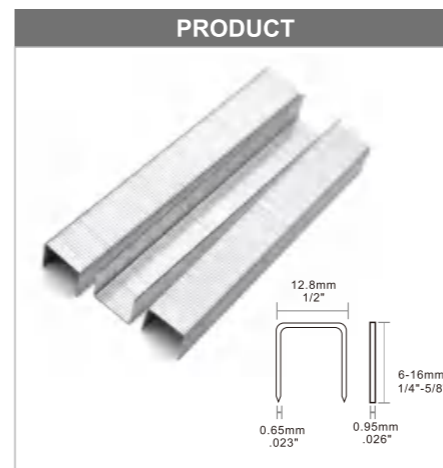
71 Series



STAPLE SPECIFICATIONS				
MODEL	SIZE	FINISH	PCS/BOX	BOX / CTN
7104	5/32"(4mm)	Galv	10000	20
7106	1/4"(6mm)	Galv	10000	20
7108	5/16"(8mm)	Galv	10000	20
7110	3/8"(10mm)	Galv	10000	20
7112	1/2"(12mm)	Galv	10000	20
7114	9/16"(14mm)	Galv	10000	20
7116	5/8"(16mm)	Galv	10000	20

21 GA FINE WIRE STAPLE

80 Series



STAPLE SPECIFICATIONS				
MODEL	SIZE	FINISH	PCS/BOX	BOX / CTN
8006	1/4"(6mm)	Galv	10000	20
8008	5/16"(8mm)	Galv	10000	20
8010	3/8"(10mm)	Galv	10000	10
8012	1/2"(12mm)	Galv	10000	10
8014	9/16"(14mm)	Galv	10000	10
8016	5/8"(16mm)	Galv	10000	10

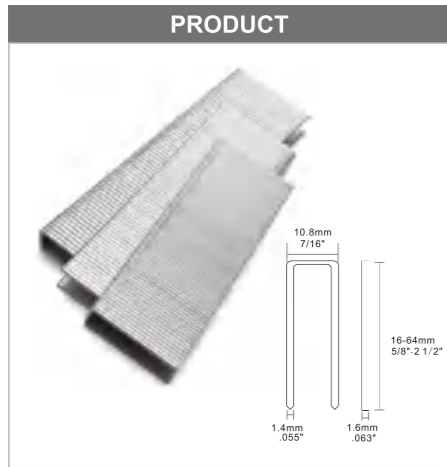
20 GA FINE WIRE STAPLE

50 Series



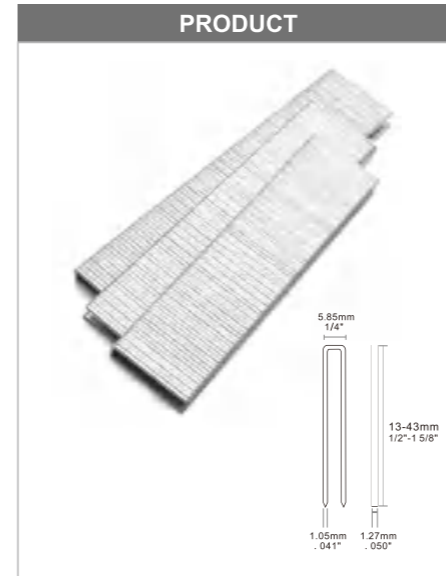
STAPLE SPECIFICATIONS				
MODEL	SIZE	FINISH	PCS/BOX	BOX / CTN
5006	1/4"(6mm)	Galv	5000	20
5008	5/16"(8mm)	Galv	5000	20
5010	3/8"(10mm)	Galv	5000	20
5012	1/2"(12mm)	Galv	5000	20
5014	9/16"(14mm)	Galv	5000	20
5016	5/8"(16mm)	Galv	5000	20

16^{GA}
HEAVY WIRE
STAPLE
N Series



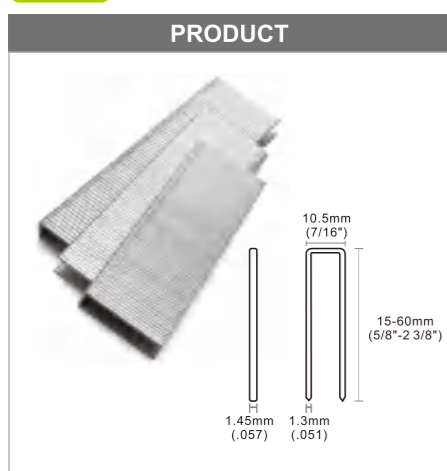
STAPLE SPECIFICATIONS				
MODEL	SIZE	FINISH	PCS/BOX	BOX / CTN
N16	5/8"(16mm)	Galv	10000	1
N19	3/4"(19mm)	Galv	10000	1
N22	7/8"(22mm)	Galv	10000	1
N25	1"(25mm)	Galv	10000	1
N28	1 1/8"(28mm)	Galv	10000	1
N32	1 1/4"(32mm)	Galv	10000	1
N35	1 3/8"(35mm)	Galv	10000	1
N38	1 1/2"(38mm)	Galv	10000	1
N40	1 9/16"(40mm)	Galv	10000	1
N45	1 3/4"(45mm)	Galv	10000	1
N50	2"(50mm)	Galv	10000	1

18^{GA}
MEDIUM WIRE
STAPLE
90/K Series



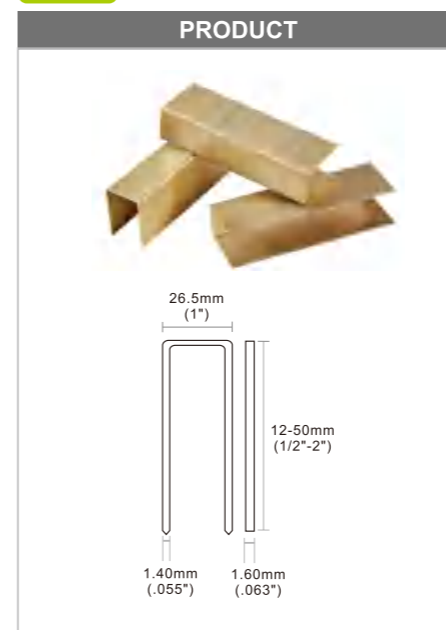
STAPLE SPECIFICATIONS				
MODEL	SIZE	FINISH	PCS/BOX	BOX / CTN
K13	1/2"(13mm)	Galv	5000	10
K16	5/8"(16mm)	Galv	5000	10
K19	3/4"(19mm)	Galv	5000	10
K22	7/8"(22mm)	Galv	5000	10
K25	1"(25mm)	Galv	5000	10
K28	1 1/8"(28mm)	Galv	5000	10
K30	1 3/16"(30mm)	Galv	5000	10
K32	1 1/4"(32mm)	Galv	5000	10
K35	1 3/8"(35mm)	Galv	5000	10
K38	1 1/2"(38mm)	Galv	5000	10
K40	1 5/8"(40mm)	Galv	5000	10

17^{GA}
HEAVY WIRE
STAPLE
14 Series



STAPLE SPECIFICATIONS				
MODEL	SIZE	FINISH	PCS/BOX	BOX / CTN
1415	19/32"(15mm)	Galv	10000	1
1416	5/8"(16mm)	Galv	10000	1
1418	3/4"(18mm)	Galv	10000	1
1421	13/16"(21mm)	Galv	10000	1
1422	7/8"(22mm)	Galv	10000	1
1425	1"(25mm)	Galv	10000	1
1430	1 3/16"(30mm)	Galv	10000	1
1432	1 1/4"(32mm)	Galv	10000	1
1434	1 11/32"(34mm)	Galv	10000	1
1435	1 3/8"(35mm)	Galv	10000	1
1440	1 5/8"(40mm)	Galv	10000	1
1442	1 11/16"(42mm)	Galv	10000	1
1443	1 23/32"(43mm)	Galv	10000	1
1444	1 3/4"(44mm)	Galv	10000	1
1445	1 3/4"(45mm)	Galv	10000	1
1448	1 15/16"(48mm)	Galv	10000	1
1450	2"(50mm)	Galv	10000	1
1460	2 3/8"(60mm)	Galv	10000	1

16^{GA}
HEAVY WIRE
STAPLE
P Series



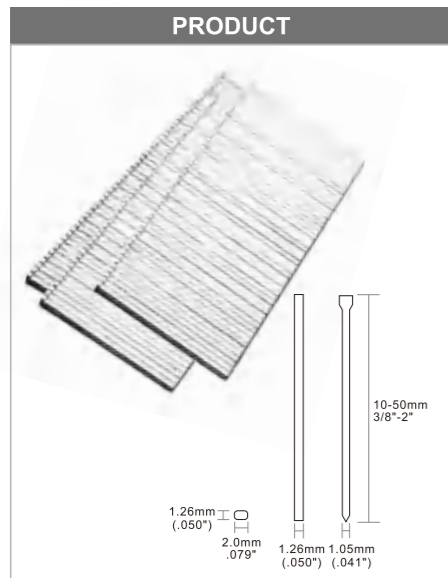
STAPLE SPECIFICATIONS				
MODEL	SIZE	FINISH	PCS/BOX	BOX / CTN
P12	1/2"(12mm)	Galv	5000	10
P16	5/8"(16mm)	Galv	5000	10
P19	3/4"(19mm)	Galv	5000	10
P20	13/16"(20mm)	Galv	5000	10
P22	7/8"(22mm)	Galv	5000	10
P25	1"(25mm)	Galv	5000	10
P32	1 1/4"(32mm)	Galv	5000	10
P38	1 1/2"(38mm)	Galv	5000	10
P44	1 3/4"(44mm)	Galv	5000	10
P50	2"(50mm)	Galv	5000	10

18^{GA}
MEDIUM WIRE
STAPLE
92 Series



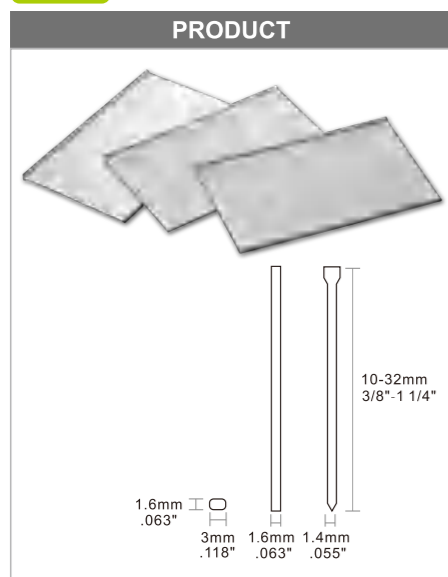
STAPLE SPECIFICATIONS				
MODEL	SIZE	FINISH	PCS/BOX	BOX / CTN
9210	3/8" (10mm)	Galv	40000	1
9225	1"(25mm)	Galv	30000	1
9235	1 3/8"(35mm)	Galv	25000	1
9238	1 1/2"(38mm)	Galv	25000	1
9240	1 5/8"(40mm)	Galv	25000	1

18^{GA}
BRAD NAILS
F Brads Series



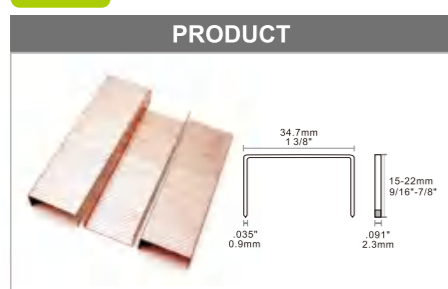
BRAD NAIL SPECIFICATIONS				
MODEL	SIZE	FINISH	PCS/BOX	BOX / CTN
F10	3/8"(10mm)	Galv	5000	28
F15	9/16"(15mm)	Galv	5000	28
F16	5/8"(16mm)	Galv	5000	20
F18	3/4"(18mm)	Galv	5000	20
F19	3/4"(19mm)	Galv	5000	20
F20	16/19"(20mm)	Galv	5000	20
F25	1"(25mm)	Galv	5000	20
F30	1 3/16"(30mm)	Galv	5000	12
F32	1 1/4"(32mm)	Galv	5000	12
F35	1 3/8"(35mm)	Galv	5000	12
F38	1 1/2"(38mm)	Galv	5000	12
F40	1 9/16"(40mm)	Galv	5000	8
F45	1 3/4"(45mm)	Galv	5000	8
F50	2"(50mm)	Galv	5000	8

16^{GA}
BRAD NAILS
T Brads Series



BRAD NAIL SPECIFICATIONS				
MODEL	SIZE	FINISH	PCS/BOX	BOX / CTN
T15	9/16"(15mm)	Galv	2500	24
T20	13/16"(20mm)	Galv	2500	24
T22	7/8"(22mm)	Galv	2500	18
T25	1"(25mm)	Galv	2500	18
T30	1 3/4"(30mm)	Galv	2500	18
T32	1 1/4"(32mm)	Galv	2500	18
T35	1 3/8"(35mm)	Galv	2500	18
T38	1 1/2"(38mm)	Galv	2500	12
T40	1 9/16"(40mm)	Galv	2500	12
T45	1 3/4"(45mm)	Galv	2500	12
T50	2"(50mm)	Galv	2500	12

16^{GA}
CARTON STAPLE
Carton Staples Series



STAPLE SPECIFICATIONS				
MODEL	SIZE	FINISH	BOX / QTY	BOX / CTN
3515	9/16"(15mm)	Galv	2000	10
3518	3/4"(18mm)	Galv	1600	10
3522	7/8"(22mm)	Galv	1600	10

ACCESSORIES



Cylinder Set



Cylinder Cap



O-ring



Goggles



meite
Always wear goggles
in the work area.

Bumper



Active Valve



Muzzle



Magazine



Driver Set



Lubricant



meite special lubricant
Proper Lubrication is necessary for this pneumatic tool.
Lube oil through the air inlets before and after for each time use if not using an oiler.
Proper lubrication can increase the usage length of your tool also prevent rust from forming. Use MEITE lube oil for best performance.