

美特[®]
meite

广东美特机械有限公司
Guangdong Meite Mechanical Co., Ltd

地址:佛山市南海区里水镇和顺和桂工业园B区顺景大道10号
Add:NO.10,Shunjing St.,Hegui Industrial Park(B),Lishui Town,Nanhai District,Foshan,GD 528241,China

电话 : 0757-85122208 85120989
传真 : 0757-85120609
中文网址 : [Http://www.gdmeite.com](http://www.gdmeite.com)



美特官方公众号

2022年06月



美特[®]
meite

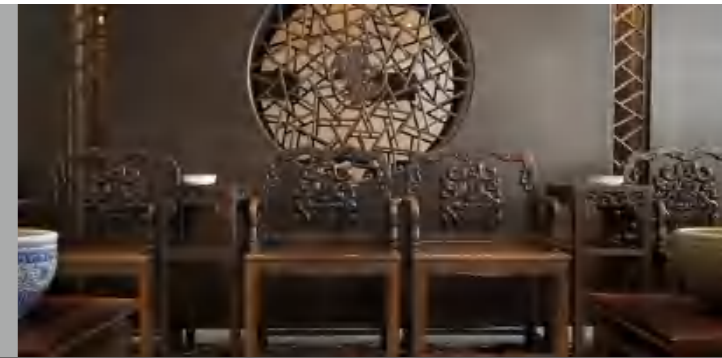


优质品 美特造
Professional Grade Products



专业气动工具 目录

PROFESSIONAL AIR TOOLS



公司简介

Company profile

广东美特机械有限公司创始于1996年，是中国专业气动钉枪、气动喷枪及气动工具的骨干企业，创建中国自主品牌“美特”。公司产品广泛应用于家具制造业、家居装潢业、建筑业、包装业、家电业、汽车业和畜牧业等。公司在全国各大城市均设有成熟高效的经销网络，同时产品出口到东南亚、中东及欧美等60多个国家和地区。

我们坚持精益求精，质量为先。公司通过ISO9001质量管理体系认证以及CE欧洲安全认证。在质量管理上，产品的每一个生产环节均有严格的质量把关，凭借优良的产品质量与性能获得顾客满意是我们一直不变的初心。

我们坚持创新驱动，技术为本。公司致力于技术创新，把核心技术作为立足之本，持续投入大量资源用于研发能力的提升，一直坚持以创新作为企业的驱动力。

我们坚持与时俱进，转型升级。公司积极推行信息化管理与自动化生产，逐步实现全面智能制造。公司已进军智能打钉装备领域，将核心业务延伸至多元化的高端技术产业，为各行业的客户提供智能化升级的配套解决方案。

铸精品、创品牌，我们美特人一直在路上。

Established in 1996, Guangdong Meite Mechanical Co., Ltd., which has built own "Meite" brand, is a leading company in professional pneumatic nailers & staplers, pneumatic tools and accessories etc. in China. Meite products are widely used in the furniture manufacturing industry, home furnishing industry, construction industry, packaging industry, home appliance industry, automobile industry and animal husbandry, etc. Meite has a mature and efficient distribution network in major cities across the country, and its products are exported to more than 60 countries and regions in Southeast Asia, Middle East, Europe and the United States etc.

Insisting on excellence and quality first, we boast ISO9001 quality management system certification and CE certification. In terms of quality management, there is strict quality control in every production process. It is the original intention to obtain customer satisfaction with excellent product quality and performance.

Insisting on being innovation-driven and technology-oriented, we are committed to technological innovation and taking core technology as the foundation. We always insist on innovation as the driving force of the enterprise. At the same time, we continue to invest a lot of resources in the improvement of research and development capabilities.

Insisting on advancing with the times and transforming and upgrading, Meite actively promotes information management and automated production and gradually realizes comprehensive intelligent manufacturing. Our company has entered the field of intelligent nailing equipment, extending its core business to diversified high-end technology industries, and providing customers in various industries with intelligent and upgraded supporting solutions.

We, Meite people, have been on the way to make the finest products and create a world class brand.

多用途拉丝机

Multifunction Grinding Machine 01-03

砂磨机

(Air Sander) 04-16

气动锉刀机

Air File 17-18

气动刻磨机

Air Engraving Machine 19-20

气动螺丝刀

Screwdriver 21-24

气动冲击扳手

Impact Wrench 25-26

气动角磨机

Air Angle Grinder 27-28

气动液压拉钉枪

Rivet Nut Tool 29-30



美特官方公众号

多用途拉丝机 MT-5108



尼龙丝轮，在木板上打磨出自然木纹
A nylon wheel, grind out the natural wood grain on the board

钢丝轮，在木板上打磨出强硬木纹
The steel wire wheel, grind out strong wood grain

应用:

解决焊接，划痕，锈迹，油漆，去毛刺等平面，弧面，内角位的打磨，拉丝处理的好工具，适用于家电，机械，汽配，金属，家具等行业。

PRODUCT APPLICATION

Grinding for welding parts, scratches, rust, paint, and de burring for plane, arc and inner corner. Good tool for brushing suitable for appliances, machinery, auto parts, metal and furniture ect.

MT-5108

型号 Model	全长 Length	使用压力 Air Pressure	耗材尺寸内孔 Inner Hole Size	无负荷转速 Free Speed	耗气量 Air Cons	气管接头 Air Connection	重量 Weight
MT-5108	270mm	90PSI	25mm	4500RPM	14.1CFM	3/8	1.2KG

木料打磨

MEATAL POLISHING

**功能展示
function display**

采用减震专利，极大减少工作疲劳
灵活更换打磨丝轮配件，集打磨抛光，木纹拉丝，除锈除漆于一体。

Adopting the patent of shock absorption to greatly reduce work fatigue
Flexible replacement of grinding wheel accessories, integrating grinding and polishing, wood grain drawing and rust removal.

多用途拉丝机 MT-5108



▶ 一机多用

便捷更换配件，实现多重效果

One machine multipurpose

Convenient replacement parts to achieve multiple effects



▶ 安全开关

人性化的安全开关设计，以人为本，提供有力的保障

Safety switch

Humanized safety switch design, a man - based, powerful guarantee



▶ 减震握把

双把手设计，减少工作疲劳，提高工作效率。

Shock absorber grip

Double handle design, reduce work fatigue, improve work efficiency.

配件与耗材

Accessories and consumables



钢丝轮
Steel wheel



纱布丝轮
Steel wheel



杜邦尼龙丝轮
Nylon wheel



八角砂
Octagonal sand

圆型砂磨机 MT-5105-2

MT-5105-2圆型砂磨机,打磨效率高, 适合多角度操作, 是对一些小件进行打磨的气动工具, 体积小, 转速高, 噪音低, 震动小, 具有强力的吸尘效果, 研磨效率高, 比较实用。符合人机的设计,长时间使用不疲劳, 可以节省更多人力, 打磨效果均匀, 打磨后表面光滑, 也容易抛光。

MT-5105-2The round type grinding machine has high grinding efficiency and suitable for multi angle operation. It can be carried out on some small parts. The pneumatic tool for grinding is small in volume, high in speed, low in noise, small in vibration, and with a strong effect of dust absorption. The grinding efficiency is high and it is rather practical. With conforming to man-machine and being fatigue-resistant for long time using, it can save a lot of the manpower, the grinding effect is very uniform, the surface after being grinded is very smooth, also very easy to polish.

木料打磨

MEATAL POLISHING

功能展示
function display



圆型砂磨机系列



可用于水平打磨
Can apply to level polishing



快速装卸的底盘
Can change a sanding pad easily



拉绒式砂纸装配方式
method of using 5" sanding paper with fleece



MT-5105-V2

型号 Model	磨盘样式 Pad Installation	磨盘尺寸 Pad Side	转速 Rotating Speed	偏心量 Orbit Dia	气管内径 Hose Inner Dia	耗气量 Air Cons	使用压力 Air Pressure
MT-5105-V2	粘扣式带孔 Buckle Type(Hole)	127mm	12000RPM	5mm	1/4	6.35CFM	90PSI



MT-5106-V2

型号 Model	磨盘样式 Pad Installation	磨盘尺寸 Pad Side	转速 Rotating Speed	偏心量 Orbit Dia	气管内径 Hose Inner Dia	耗气量 Air Cons	使用压力 Air Pressure
MT-5106-V2	粘扣式带孔 Buckle Type(Hole)	152mm	8500RPM	5mm	1/4	6.35CFM	90PSI



MT-5106-2

型号 Model	磨盘样式 Pad Installation	磨盘尺寸 Pad Side	转速 Rotating Speed	偏心量 Orbit Dia	气管内径 Hose Inner Dia	耗气量 Air Cons	使用压力 Air Pressure
MT-5106-2	粘扣式 Buckle Type(Hole)	152mm	8500RPM	5mm	1/4	6.35CFM	90PSI

型号 Model	磨盘样式 Pad Installation	磨盘尺寸 Pad Side	转速 Rotating Speed	偏心量 Orbit Dia	气管内径 Hose Inner Dia	耗气量 Air Cons	使用压力 Air Pressure
MT-5105-2	粘扣式带孔 Buckle Type(Hole)	125mm	12000RPM	5mm	1/4	6.35CFM	90PSI

应用:

适用于木材, 金属, 油漆, 塑料, 玻璃纤维等不同材料表面进行打磨和抛光的汽修汽配, 家具等行业, 抛光研磨去屑, 降低物体表面粗糙度。

PRODUCT APPLICATION

It is suitable for grinding and polishing of wood, metal, paint, plastic, glass fiber and other materials in auto repair, furniture industry etc. And it can reduce the surface roughness.



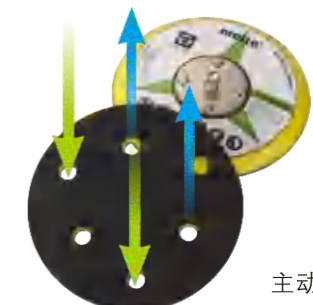
MT-5105-2 ▶

配件与耗材

Accessories and consumables



标准研磨底盘
(适用于MT-5105, MT-5106)
Standard five inch grinding chassis
(Suitable for MT-5102, MT-5106)



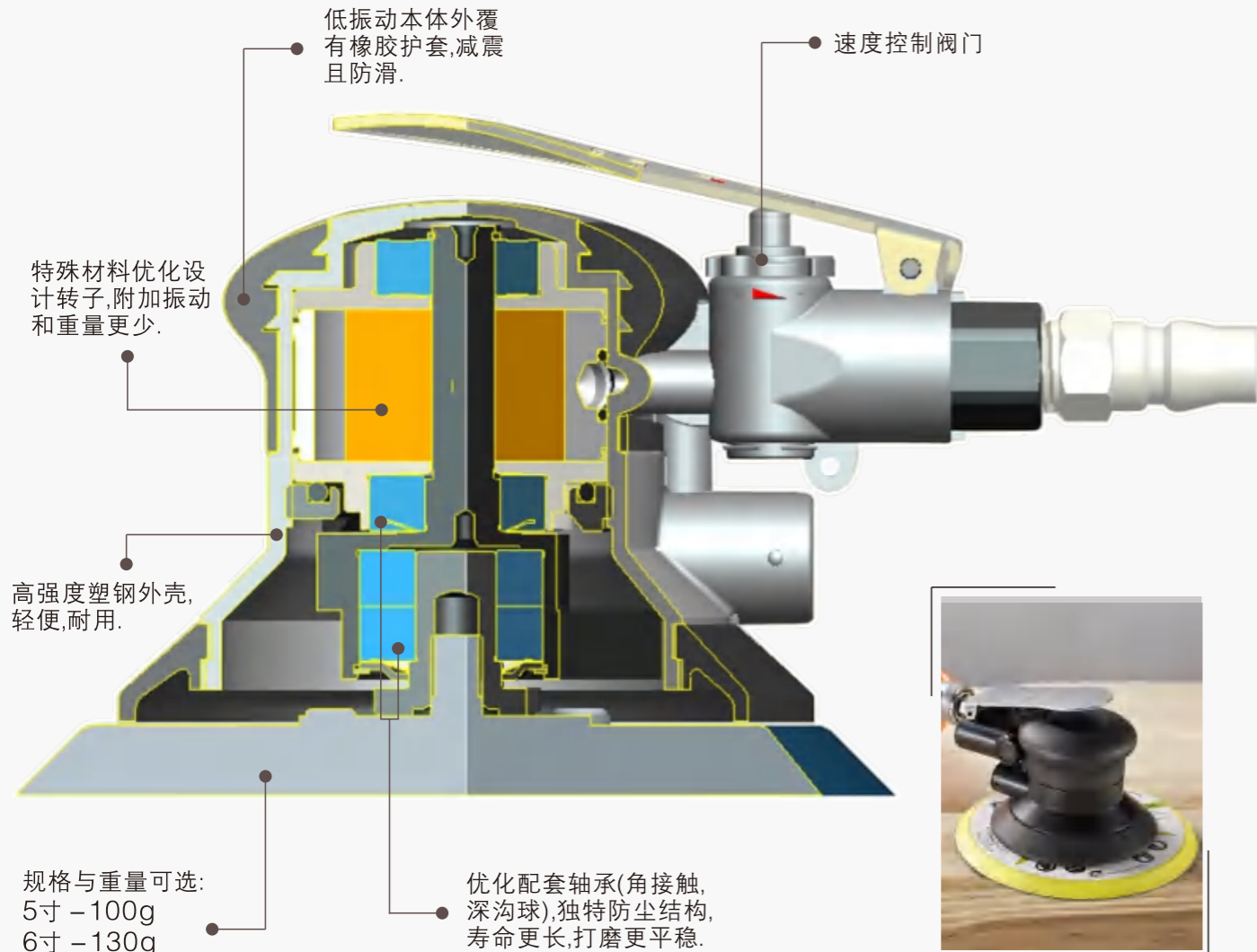
标准六孔研磨底盘
(适用于MT-5106-V2, MT-5105-V2)
Standard five inch six grinding chassis
(Suitable for MT-5106-V2, MT-5105-V2)

主动粉尘输送

圆型砂磨机系列

MT-5105/MT-5106

砂磨机



MT-5105

型号 Model	磨盘样式 Pad Installation	磨盘尺寸 Pad Side	频率 Frequency	偏心量 Orbit Dia	气管内径 Hose Inner Dia	耗气量 Air Cons	使用压力 Air Pressure
MT-5105	粘扣式 Buckle Type	127mm	12500RPM	5mm	1/4	6.35CFM	90PSI



应用:

适用于木材, 金属, 油漆, 塑料, 玻璃纤维等不同材料表面进行打磨和抛光的汽修汽配, 家具等行业, 抛光研磨去屑, 降低物体表面粗糙度。

PRODUCT APPLICATION

It is suitable for grinding and polishing of wood, metal, paint, plastic, glass fiber and other materials in auto repair, furniture industry etc. And it can reduce the surface roughness.

MT-5105B

型号 Model	磨盘样式 Pad Installation	磨盘尺寸 Pad Side	频率 Frequency	偏心量 Orbit Dia	气管内径 Hose Inner Dia	耗气量 Air Cons	使用压力 Air Pressure
MT-5105B	粘扣式 Buckle Type	127mm	12500RPM	5mm	1/4	6.35CFM	90PSI



应用:

适用于木材, 金属, 油漆, 塑料, 玻璃纤维等不同材料表面进行打磨和抛光的汽修汽配, 家具等行业, 抛光研磨去屑, 降低物体表面粗糙度。

PRODUCT APPLICATION

It is suitable for grinding and polishing of wood, metal, paint, plastic, glass fiber and other materials in auto repair, furniture industry etc. And it can reduce the surface roughness.

MT-5106

型号 Model	磨盘样式 Pad Installation	磨盘尺寸 Pad Side	频率 Frequency	偏心量 Orbit Dia	气管内径 Hose Inner Dia	耗气量 Air Cons	使用压力 Air Pressure
MT-5106	粘扣式 Buckle Type	152mm	12500RPM	5mm	1/4	6.35CFM	90PSI



应用:

适用于木材, 金属, 油漆, 塑料, 玻璃纤维等不同材料表面进行打磨和抛光的汽修汽配, 家具等行业, 抛光研磨去屑, 降低物体表面粗糙度。

PRODUCT APPLICATION

It is suitable for grinding and polishing of wood, metal, paint, plastic, glass fiber and other materials in auto repair, furniture industry etc. And it can reduce the surface roughness.

MT-5105-3

型号 Model	磨盘样式 Pad Installation	磨盘尺寸 Pad Side	频率 Frequency	偏心量 Orbit Dia	气管内径 Hose Inner Dia	耗气量 Air Cons	使用压力 Air Pressure
MT-5105-3	粘扣式 Buckle Type	127mm	12000RPM	5mm	1/4	6.35CFM	90PSI



应用:

适用于木材, 金属, 油漆, 塑料, 玻璃纤维等不同材料表面进行打磨和抛光的汽修汽配, 家具等行业, 抛光研磨去屑, 降低物体表面粗糙度。

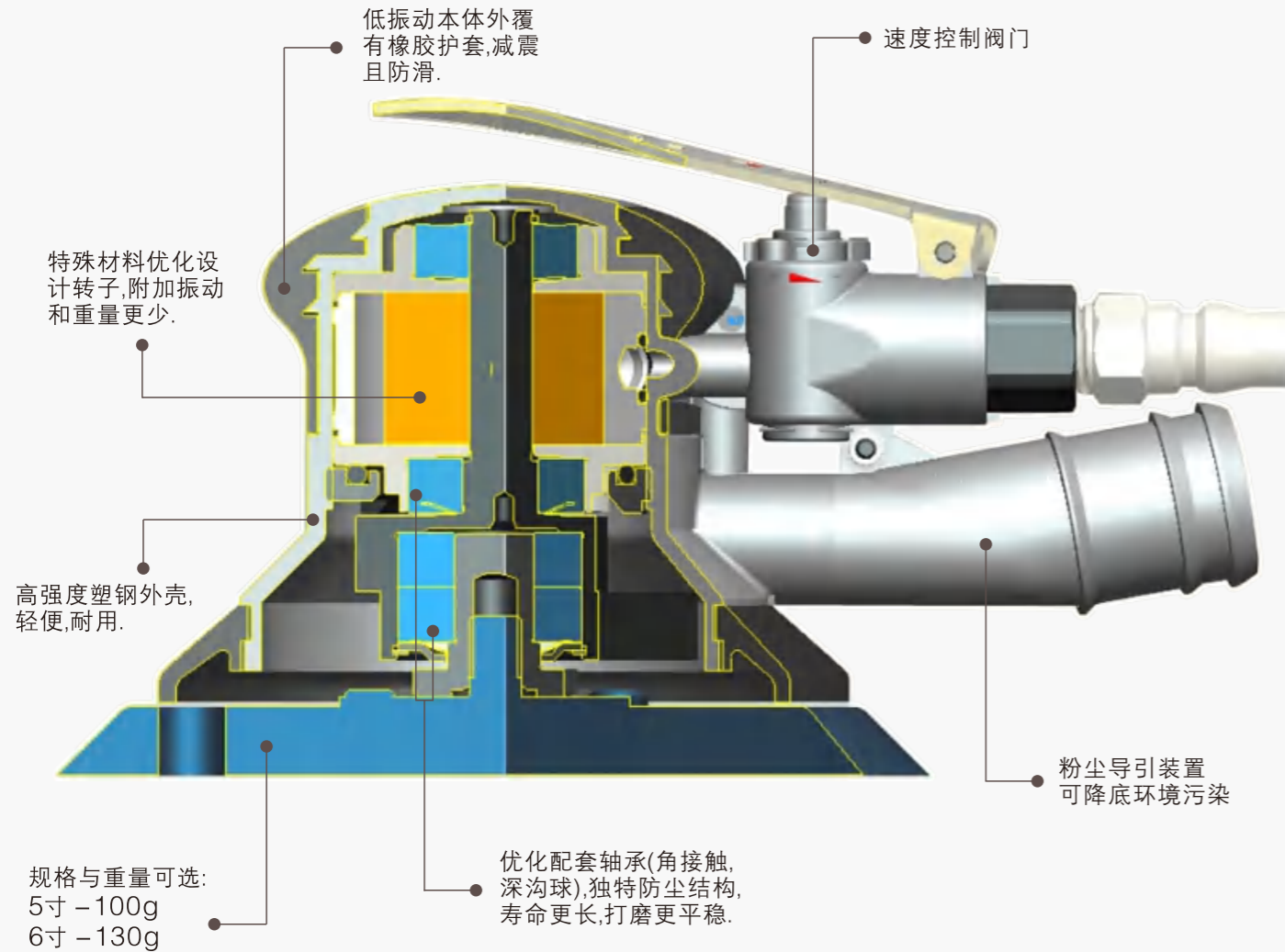
PRODUCT APPLICATION

It is suitable for grinding and polishing of wood, metal, paint, plastic, glass fiber and other materials in auto repair, furniture industry etc. And it can reduce the surface roughness.

圆型砂磨机系列

MT-5105V/MT-5106V

砂磨机



MT-5105V

型号 Model	磨盘样式 Pad Installation	磨盘尺寸 Pad Side	频率 Frequency	偏心量 Orbit Dia	气管内径 Hose Inner Dia	耗气量 Air Cons	使用压力 Air Pressure
MT-5105V	粘扣式 Buckle Type	127mm	12500RPM	5mm	1/4	6.35CFM	90PSI



应用:

适用于木材, 金属, 油漆, 塑料, 玻璃纤维等不同材料表面进行打磨和抛光的汽修汽配, 家具等行业, 抛光研磨去屑, 降低物体表面粗糙度, 带吸尘功能。

PRODUCT APPLICATION

It is suitable for grinding and polishing of wood, metal, paint, plastic, glass fiber and other materials in auto repair, furniture industry etc. And it can reduce the surface roughness. With suction function.

MT-5106V

型号 Model	磨盘样式 Pad Installation	磨盘尺寸 Pad Side	频率 Frequency	偏心量 Orbit Dia	气管内径 Hose Inner Dia	耗气量 Air Cons	使用压力 Air Pressure
MT-5106V	粘扣式 Buckle Type	152mm	12500RPM	5mm	1/4	6.35CFM	90PSI



应用:

适用于木材, 金属, 油漆, 塑料, 玻璃纤维等不同材料表面进行打磨和抛光的汽修汽配, 家具等行业, 抛光研磨去屑, 降低物体表面粗糙度, 带吸尘功能。

PRODUCT APPLICATION

It is suitable for grinding and polishing of wood, metal, paint, plastic, glass fiber and other materials in auto repair, furniture industry etc. And it can reduce the surface roughness. With suction function.



桃型砂磨机 MT-5135



广泛用于木工，金属，塑料，玻璃制品
内部死角的表面研磨，抛光。

PRODUCT APPLICATION

Widely used for grinding and polishing the internal dead angle of wood, metal, plastic, and glass products.



◀ **MT-5135**

型号 Model	磨盘样式 Pad Installation	磨盘尺寸 Pad Side	频率 Frequency	偏心量 Orbit Dia	气管内径 Hose Inner Dia	耗气量 Air Cons	使用压力 Air Pressure
MT-5135	粘扣式 Buckle Type	90X130mm	10000BPM	3mm	1/4	6.35CFM	90PSI

方型砂磨机系列



MT-5123

型号 Model	磨盘样式 Pad Installation	磨盘尺寸 Pad Side	频率 Frequency	偏心量 Orbit Dia	气管内径 Hose Inner Dia	耗气量 Air Cons	使用压力 Air Pressure
MT-5123	粘扣式 Buckle Type	70x100mm	10000BPM	3mm	1/4	6.35CFM	90PSI

应用:

广泛用于汽车钣金研磨，金属，木工等各种工件表面研磨作业

PRODUCT APPLICATION

It is widely used for the automobile sheet metal grinding, and the surface grinding of all kinds of workpiece, such as metal, those in wood working industry.



MT-5115

型号 Model	磨盘样式 Pad Installation	磨盘尺寸 Pad Side	频率 Frequency	偏心量 Orbit Dia	气管内径 Hose Inner Dia	耗气量 Air Cons	使用压力 Air Pressure
MT-5115	粘扣式(带夹) Buckle Type	100x110mm	10000BPM	3mm	1/4	6.35CFM	90PSI

应用:

广泛用于汽车钣金研磨，金属，木工等各种工件表面研磨作业

PRODUCT APPLICATION

It is widely used for the automobile sheet metal grinding, and the surface grinding of all kinds of workpiece, such as metal, those in wood working industry.



MT-5127

型号 Model	磨盘样式 Pad Installation	磨盘尺寸 Pad Side	频率 Frequency	偏心量 Orbit Dia	气管内径 Hose Inner Dia	耗气量 Air Cons	使用压力 Air Pressure
MT-5127	粘扣式(带夹) Buckle Type	93x178mm	10000BPM	3mm	1/4	6.35CFM	90PSI

应用:

广泛用于汽车钣金研磨，金属，木工等各种工件表面研磨作业

PRODUCT APPLICATION

It is widely used for the automobile sheet metal grinding, and the surface grinding of all kinds of workpiece, such as metal, those in wood working industry.

砂磨机系列



往复式砂磨机

Reciprocating lapping machine

应用:

适用于木材, 金属, 油漆, 塑料, 玻璃纤维等不同材料表面进行打磨和抛光的汽修汽配, 家具等行业

PRODUCT APPLICATION

Suitable for the surface grinding and polishing of different kind of materials such as wood, metal, paint, plastic and glass fiber in auto repair, auto maintenance and furniture industry etc.

偏心式砂磨机

Eccentric Grinding Machine

应用:

适用于木材, 金属, 油漆, 塑料, 玻璃纤维等不同材料表面进行打磨和抛光的汽修汽配, 家具等行业

PRODUCT APPLICATION

Suitable for the surface grinding and polishing of different kind of materials such as wood, metal, paint, plastic and glass fiber in auto repair, auto maintenance and furniture industry etc.



MT-5103

型号 Model	转速 Rotating Speed	偏心量 Orbit Dia	气管内径 Hose Inner Dia	耗气量 Air Cons	使用压力 Air Pressure	重量 Weight
MT-5103	15000RPM	3mm	1/4	6CFM	90PSI	0.7KG

砂磨机

Sander Machine

应用:

适用于木材, 金属, 油漆, 塑料, 玻璃纤维等不同材料表面进行打磨和抛光的汽修汽配, 家具等行业

PRODUCT APPLICATION

Suitable for the surface grinding and polishing of different kind of materials such as wood, metal, paint, plastic and glass fiber in auto repair, auto maintenance and furniture industry etc.



MT-5122

型号 Model	频率 Frequency	偏心量 Orbit Dia	气管内径 Hose Inner Dia	耗气量 Air Cons	使用压力 Air Pressure	重量 Weight
MT-5122	13000BPM	3mm	1/4	6CFM	90PSI	0.83KG



MT-5122-2

型号 Model	频率 Frequency	偏心量 Orbit Dia	气管内径 Hose Inner Dia	耗气量 Air Cons	使用压力 Air Pressure	重量 Weight
MT-5122-2	13000BPM	3mm	1/4	6CFM	90PSI	0.83KG

往复式砂磨机 MT-5124

产品特征

PRODUCT FEATURES

- 1.符合人机工程的手柄抓握设计, 让你轻松工作, 更有效率。
 - 2.轻松快捷的研磨效率, 缩短工时, 节约人工成本。
 - 3.可以专业处理倒角, 内外弧线, 沟槽, 平面等各种打磨问题。
 - 4.优美的弧线, 轻巧的外型, 更得人心。
- 1.The handle grip design conforms to the man-machine engineering, making you work easily and efficiently.
 - 2.Easy and quick grinding efficiency, shorten the time of work, save labor cost.
 - 3.It can handle all kinds of grinding problems, such as chamfering, inner and outer arcs, grooves, plane and so on.
 - 4.The beautiful arc, the light shape, more popular.



MT-5124

应用:

倒角、内外弧线、沟槽、台阶面异形不规则线条、内孔等处打磨; 不但可为您省工时、省人力、省砂纸而且可得到您意想不到的研磨效果。

PRODUCT APPLICATION

Chamfering grinding for, internal and external arcs, trenches, stepped surfaces, irregular lines and inner holes; It can save not only time, but also gives you grinding effect you can't imagine



MT-5124

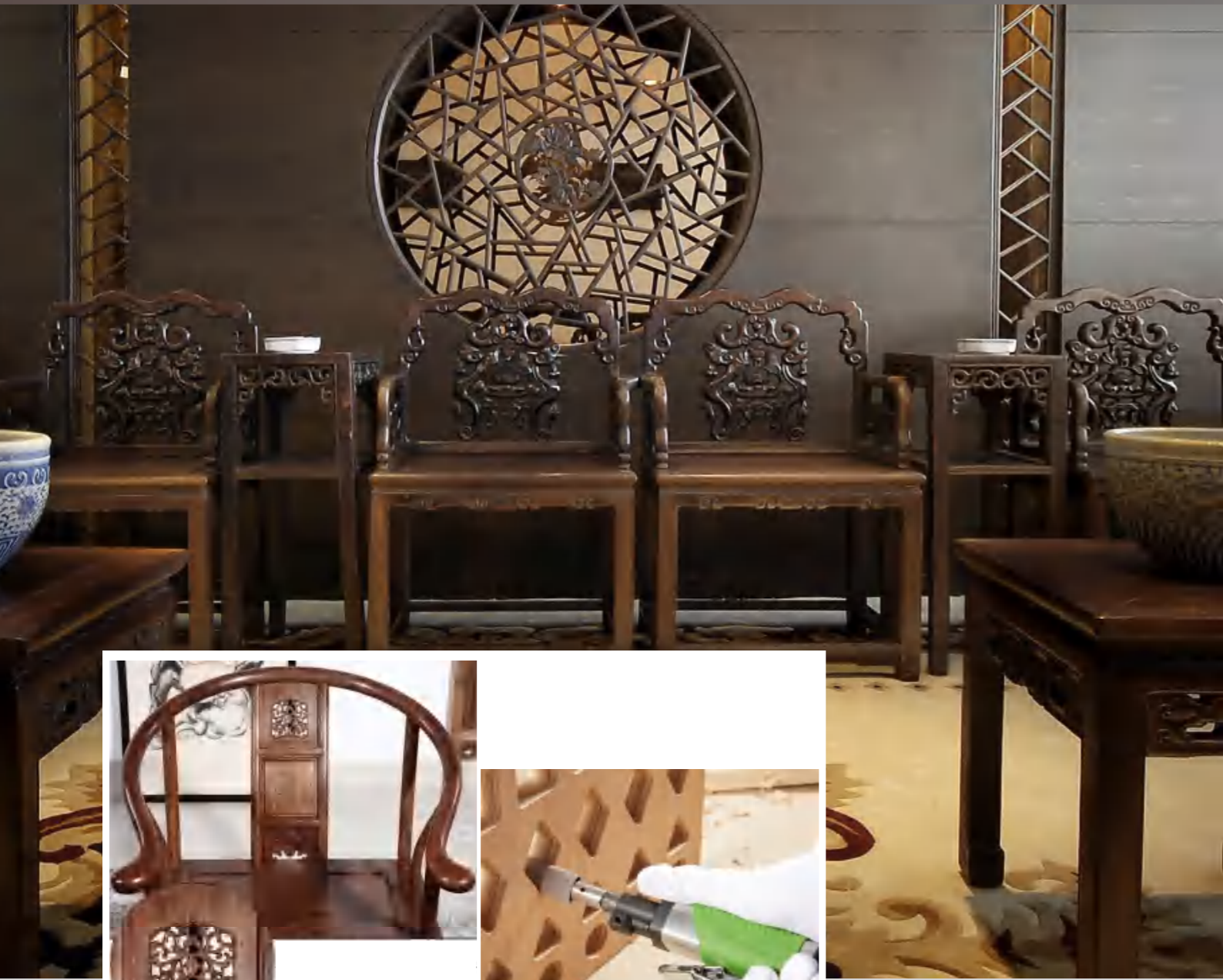
型号 Model	磨盘尺寸 Pad Size	行程频率 Frequency	气管内径 Hose Inner Dia	耗气量 Air Cons	使用压力 Air Pressure	重量 Weight
MT-5124	30-80X100mm	6000BPM	1/4	3.5CFM	90PSI	0.55KG



14件套的异形底盘, 是处理非平面研磨的利器 结构清晰, 安装便捷

14 pieces of special-shaped chassis, good for non-plane grinding. Clear structure, easy to install

气动锉刀机 MT-5505



型号 Model	行程频率 Stroke frequency	进气口 Air Inlet	内孔管径 inner Hole Size	耗气量 Air Cons	长度 Length
MT-5505	4000BPM	3/8PT19牙 (Thread)	1/4	3.5CFM	160mm

应用:
适合模具行业, 金属铸件, 汽车零部件去毛刺, 家具行业修磨等。



应用:
适合模具行业, 金属铸件, 汽车零部件去毛刺, 家具行业修磨等。

PRODUCT APPLICATION
Suitable for die industry, metal casting, auto parts deburring, grinding in furniture industry.



不同断面的钢锉, 使用于多种曲面
The different sections of the file, use in a variety of curved surface



多种规格磨棒, 适用于多种形状的打磨
Various sizes of grinding rods, suitable for the grinding of workpiece of various shape

通过弹簧的缓冲吸震作用, 将磨头在研磨工作中产生的高频率震动大量吸收, 从而减少了磨头的震动频率, 有效地减少了磨头的震动损坏。

◀ MT-5505

气动刻磨机(多功能八瓣机)

应用:

适用于机械加工工业的除锈, 船舶, 火车, 汽车, 电动车, 木工家具等底漆打磨及表面抛光。

PRODUCT USE

Suitable for the rust removal in machinery, the primer grinding and surface polishing in ship, train, automobile, electromobile, furniture etc.



孔位气量调节钮

配件与耗材

Accessories and consumables



MT-5306F

型号 Model	筒夹规格 Chuck	无负载转速 Free Speed	气管内径 Hose Inner Dia.	耗气量 Air Cons.	重量 Weight
MT-5306F	3/6mm	18500RPM	1/4	12.3CFM	0.62KG

应用:

适用于雕刻, 研磨, 抛光, 修孔修边, 去毛刺及模具修复等五金机械行业。

PRODUCT USE

Suitable for engraving, grinding, polishing, trimming, hole repairing, deburring and mould repairing etc. in hardware and machinery industry.

MT-5306R1

型号 Model	筒夹规格 Chuck	无负载转速 Free Speed	气管内径 Hose Inner Dia.	耗气量 Air Cons.	重量 Weight
MT-5306R1	3/6mm	23500RPM	1/4	10.6CFM	0.36KG

应用:

适用于雕刻, 研磨, 抛光, 修孔修边, 去毛刺及模具修复等五金机械行业。

PRODUCT USE

Suitable for engraving, grinding, polishing, trimming, hole repairing, deburring and mould repairing etc. in hardware and machinery industry.

MT-5306R

型号 Model	筒夹规格 Chuck	无负载转速 Free Speed	气管内径 Hose Inner Dia.	耗气量 Air Cons.	重量 Weight
MT-5306R	3/6mm	23500RPM	1/4	10.6CFM	0.54KG

应用:

适用于雕刻, 研磨, 抛光, 修孔修边, 去毛刺及模具修复等五金机械行业。

PRODUCT USE

Suitable for engraving, grinding, polishing, trimming, hole repairing, deburring and mould repairing etc. in hardware and machinery industry.

MT-5316R

型号 Model	夹头能力 Chuck	无负载转速 Rotating Speed	气管内径 Hose Inner Dia.	耗气量 Air Cons.	重量 Weight
MT-5316R	6mm/3mm	3500RPM	1/4	14CFM	0.8KG

气动螺丝刀



强劲扭力
SUPER ATTRACTION

经久耐用
LARGE CAPACITY

品质稳定
SEIKO FINE TO BUILD

此产品锤打部由黄油改为液态油润滑，主轴，衬套油封设计了，应用了新结构。

PRODUCT FEATURES
This model was improved with a new structure, we changed the butter into lubricating oil for the Hammer set, Principal Axis and Bushing parts with grease seal.



MT-1210S

型号 Model	内六角尺寸 Chuck Size	螺栓能力 Std Bolt Cap	扭力范围 Max Range	无负荷转速 Free Speed	耗气量 Air Cons	气管接口 Air connection	重量 Weight
MT-1210S	1/4" ~6.35mm	6.0~8.0mm	60-90N.m	9000RPM	12.3CFM	1/4	1.1KG

应用:
广泛用于各行业(家具、汽修、机械)各种拆装螺丝用途。

PRODUCT USE
Widely used in removing and installaig screws in all kinds of industries such as furniture, auto reipr and machinery industry etc.



MT-1208S

型号 Model	内六角尺寸 Chuck Size	螺栓能力 Std Bolt Cap	扭力范围 Max Range	无负荷转速 Free Speed	耗气量 Air Cons	气管接口 Air connection	重量 Weight
MT-1208S	1/4" ~6.35mm	6.0~8.0mm	60-90N.m	9000RPM	12.3CFM	1/4	1.1KG

应用:
广泛用于各行业(家具、汽修、机械)各种拆装螺丝用途。

PRODUCT USE
Widely used in removing and installaig screws in all kinds of industries such as furniture, auto reipr and machinery industry etc.



MT-1206S

型号 Model	内六角尺寸 Chuck Size	螺栓能力 Std Bolt Cap	扭力范围 Max Range	无负荷转速 Free Speed	耗气量 Air Cons	气管接口 Air connection	重量 Weight
MT-1206S	1/4" ~6.35mm	5~6mm	40-60N.m	8500RPM	8.8CFM	1/4	1.1KG

应用:
广泛用于各行业(家具、汽修、机械)各种拆装螺丝用途。

PRODUCT APPLICATION
Widely used in removing and installaig screws in all kinds of industries such as furniture, auto reipr and machinery industry etc.



MT-1205S

型号 Model	内六角尺寸 Chuck Size	螺栓能力 Std Bolt Cap	最大扭力 Max Range	无负荷转速 Free Speed	耗气量 Air Cons	气管接口 Air connection	重量 Weight
MT-1205S	1/4" ~6.35mm	3~5mm	35N.m	9500RPM	7CFM	1/4	0.75KG

应用:
广泛用于各行业(家具、汽修、机械)各种拆装螺丝用途。

PRODUCT USE
Widely used in removing and installaig screws in all kinds of industries such as furniture, auto reipr and machinery industry etc.

气动螺丝刀



此产品转速高,气缸偏心小,打自攻螺丝不容易跳,比较适合打≤M5的自攻螺丝,适用于红木家具。

Widely used in removing and installaing screws in all kinds of industries such as furniture, auto repir and machinery industry etc.

MT-1210S2

型号 Model	内六角尺寸 Chuck Size	螺栓能力 Std Bolt Cap	扭力范围 Max Range	无负荷转速 Free Speed	耗气量 Air Cons	气管接口 Air connection	重量 Weight
MT-1210S2	1/4" ~6.35mm	4~6mm	70N.m	11000RPM	10.6CFM	1/4	1.1KG



MT-1205S-1

型号 Model	内六角尺寸 Chuck Size	螺栓能力 Std Bolt Cap	最大扭力 Max Range	无负荷转速 Free Speed	耗气量 Air Cons	气管接口 Air connection	重量 Weight
MT-1205S-1	1/4" ~6.35mm	3~5mm	45N.m	11000RPM	7CFM	1/4	0.75KG

应用:
广泛用于各行业(家具、汽修、机械)各种拆装螺丝用途。

PRODUCT USE
Widely used in removing and installaing screws in all kinds of industries such as furniture, auto repir and machinery industry etc.



MT-1206S2

型号 Model	内六角尺寸 Chuck Size	螺栓能力 Std Bolt Cap	最大扭力 Max Range	无负荷转速 Free Speed	耗气量 Air Cons	气管接口 Air connection	重量 Weight
MT-1206S2	1/4" ~6.35mm	6.0~8.0mm	80N.m	9000RPM	8.8CFM	1/4	1.1KG

应用:
广泛用于各行业(家具、汽修、机械)各种拆装螺丝用途。

PRODUCT APPLICATION
Widely used in removing and installaing screws in all kinds of industries such as furniture, auto repir and machinery industry etc.



MT-1206P

型号 Model	内六角尺寸 Chuck Size	螺栓能力 Std Bolt Cap	最大扭力 Max Range	无负荷转速 Free Speed	耗气量 Air Cons	气管接口 Air connection	重量 Weight
MT-1206P	1/4" ~6.35mm	6.0~8.0mm	90N.m	9000RPM	10.6CFM	1/4	1.3KG

应用:
广泛用于各行业(家具、汽修、机械)各种拆装螺丝用途。

PRODUCT APPLICATION
Widely used in removing and installaing screws in all kinds of industries such as furniture, auto repir and machinery industry etc.



气动冲击扳手

工业级扳手

劲大力足，更省力

双锤式打击结构，精密合理马达冲击结构，保证售后保养更便捷



产品特点:

- 高强度全合金机头，强劲耐用 ■
- 五档一键可调节开关，满足不同需求，提高效率 ■
- 采用优质合金，低温渗碳处理超耐磨，品质卓越 ■

应用:

适用于装配轮胎，拆装减震器和弹簧等汽修汽保行业。

PRODUCT APPLICATION

Suitable for such auto repair and auto maintenance as assembling tires, disassembling shock absorbers and springs, etc.



MT-2206S

MT-2416P

型号 Model	方头尺寸 Hex Drive	螺栓能力 Std Bolt Cap	扭力范围 Torque Range	无负荷转速 Free Speed	耗气量 Air Cons	气管接口 Air connection	重量 Weight
MT-2416P	1/2"~12.7mm	14.0~16.0mm	34~420 N.m	8000RPM	14.1CFM	1/4	2.63KG
MT-2206S	3/8"~9.5mm	5.0~6.0mm	40~60N.m	8500RPM	8.8CFM	1/4	1.1KG

气动角磨机

气动角磨机

Air Angle Engraving Machine

应用:

广泛用于各行业(家具、汽修、机械)各种打磨、切割用途。

PRODUCT APPLICATION

It is widely used in various industries (furniture, auto repair, machinery) for various kinds of grinding and cutting .



MT-5205

型号 Model	盘直径 Wheel Dia.	无负载转速 Free Speed	耗气量 Air Cons.	气管接头 air connection
MT-5205	5-125mm	12000RPM	0.4 m ³ /min	1/4



MT-5204

型号 Model	盘直径 Wheel Dia.	无负载转速 Free Speed	耗气量 Air Cons.	气管接头 air connection
MT-5204	4-100mm	12000RPM	0.4 m ³ /min	1/4

应用:

广泛用于各行业(家具、汽修、机械)各种打磨、切割用途。

PRODUCT APPLICATION

It is widely used in various industries (furniture, autorepair, machinery) for various kinds of grinding and cutting .



MT-5204-1

型号 Model	盘直径 Wheel Dia.	无负载转速 Free Speed	耗气量 Air Cons.	气管接头 air connection
MT-5204-1	4-100mm	12000RPM	0.4 m ³ /min	1/4

应用:

广泛用于各行业(家具、汽修、机械)各种打磨、切割用途。

PRODUCT APPLICATION

It is widely used in various industries (furniture, autorepair, machinery) for various kinds of grinding and cutting .



MT-5205-1

型号 Model	盘直径 Wheel Dia.	无负载转速 Free Speed	耗气量 Air Cons.	气管接头 air connection
MT-5205-1	5-125mm	12000RPM	0.4 m ³ /min	1/4

应用:

广泛用于各行业(家具、汽修、机械)各种打磨、切割用途。

PRODUCT APPLICATION

It is widely used in various industries (furniture, autorepair, machinery) for various kinds of grinding and cutting .

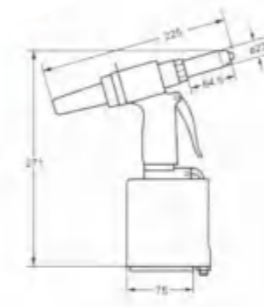
气动液压拉钉枪系列

气动液压拉钉枪

RIVET NUT TOOL

广泛用于钣金、机柜、铝门窗制造业、装修、家具制作、汽车、家电等各种铆接作业

Widely used in riveting in sheet metal, cabinet, aluminum window and door manufacturing, decoration, furniture making, automobile and home appliance industry etc.

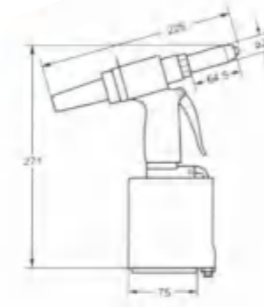


MT-311M

型号 Model	可使用铆钉/Rivet size (mm)					最大拉伸力 Max Power(n/kgf)	最大行程 Max Stroke(mm)	所需压力 Pressure Mpa (kgf/cm ²)	重量 Weight(kg)
	2.4	3.2	4.0	4.8	6.4				
MT-311M	●	●	●	▲		7,845(800)	14.0	≥6.0	1.5

- 表示可铆接铝、铁、不锈钢材质的铆钉
For Al, iron and stainless steel rivet
- ▲ 表示可铆接铝、铁、材质的铆钉，不适用不锈钢材质的铆钉
For Al, iron but stainless steel rivet

铆钉使用范围: 2.4, 3.2, 4.0, 4.8
Scope of use of rivets

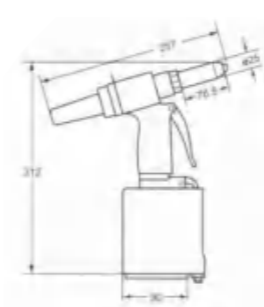


MT-311MV

型号 Model	可使用铆钉/Rivet size (mm)					最大拉伸力 Max Power(n/kgf)	最大行程 Max Stroke(mm)	所需压力 Pressure Mpa (kgf/cm ²)	重量 Weight(kg)
	2.4	3.2	4.0	4.8	6.4				
MT-311MV	●	●	●	▲		7,845(800)	14.0	≥6.0	1.7

- 表示可铆接铝、铁、不锈钢材质的铆钉
For Al, iron and stainless steel rivet
- ▲ 表示可铆接铝、铁、材质的铆钉，不适用不锈钢材质的铆钉
For Al, iron but stainless steel rivet

铆钉使用范围: 2.4, 3.2, 4.0, 4.8
Scope of use of rivets

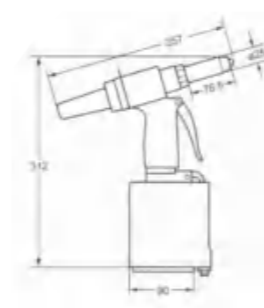


MT-311H

型号 Model	可使用铆钉/Rivet size (mm)					最大拉伸力 Max Power(n/kgf)	最大行程 Max Stroke(mm)	所需压力 Pressure Mpa (kgf/cm ²)	重量 Weight(kg)
	2.4	3.2	4.0	4.8	6.0				
MT-311H	●	●	●	●	▲	12,259(1,250)	16.0	≥6.0	1.8

- 表示可铆接铝、铁、不锈钢材质的铆钉
For Al, iron and stainless steel rivet
- ▲ 表示可铆接铝、铁、材质的铆钉，不适用不锈钢材质的铆钉
For Al, iron but stainless steel rivet

铆钉使用范围: 2.4, 3.2, 4.0, 4.8, 6.0, 6.4
Scope of use of rivets



MT-311HV

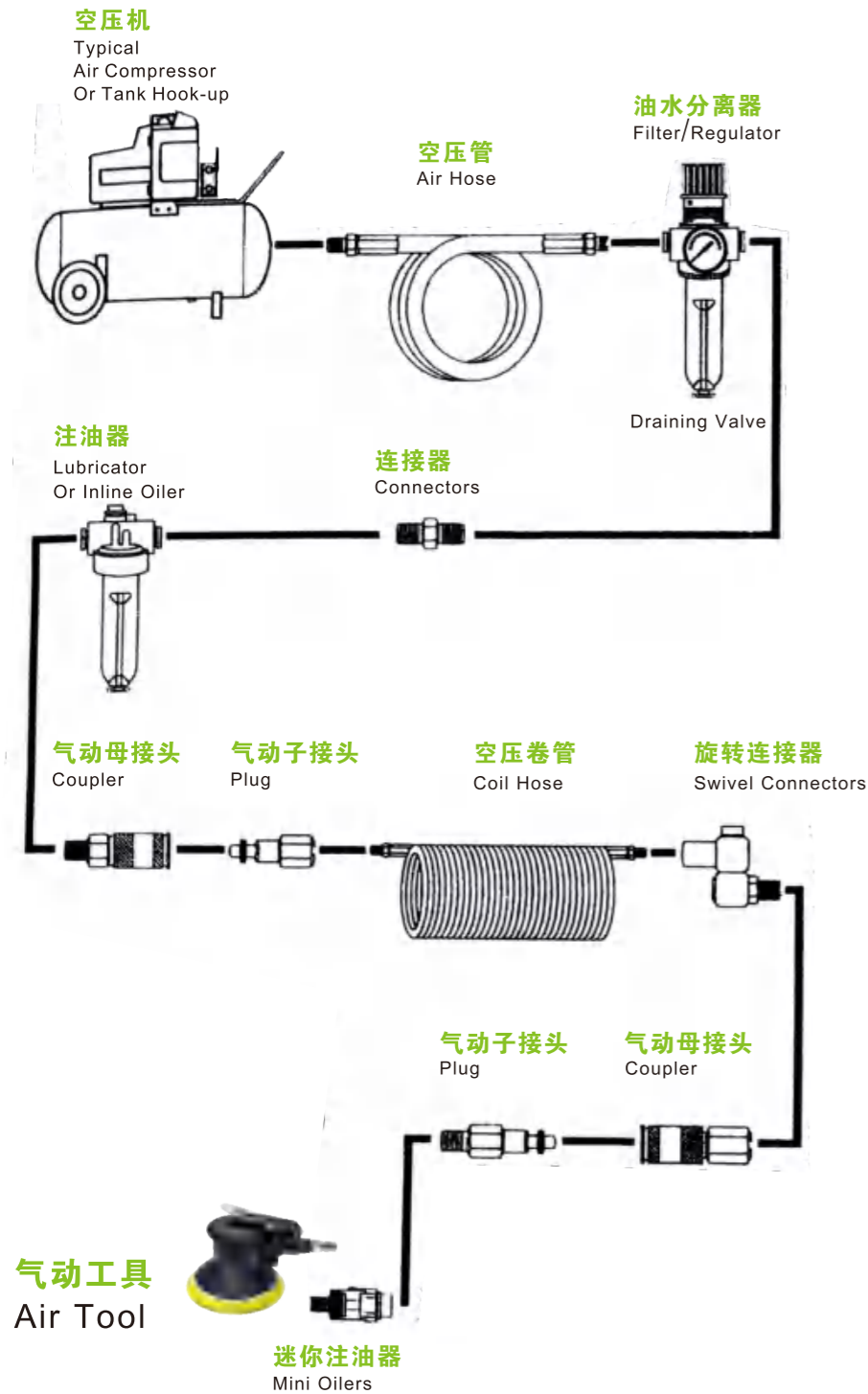
型号 Model	可使用铆钉/Rivet size (mm)					最大拉伸力 Max Power(n/kgf)	最大行程 Max Stroke(mm)	所需压力 Pressure Mpa (kgf/cm ²)	重量 Weight(kg)
	2.4	3.2	4.0	4.8	6.0				
MT-311HV	●	●	●	●	▲	12,259(1,250)	16.0	≥6.0	2.1

- 表示可铆接铝、铁、不锈钢材质的铆钉
For Al, iron and stainless steel rivet
- ▲ 表示可铆接铝、铁、材质的铆钉，不适用不锈钢材质的铆钉
For Al, iron but stainless steel rivet

铆钉使用范围: 2.4, 3.2, 4.0, 4.8, 6.0, 6.4
Scope of use of rivets

气动工具配套及正确供气系统

Pneumatic tool matching and correct gas supply system



注意事项

安装空压系统时，请要有油水分离器，调节器，注油器来提高工作效率，为了延长产品寿命及降低产品维修费用。



FILTER/REGULATOR 过滤器/调节器

油水分离器用来调节空气压力和去除水分、油及其他杂质，用来防止工具生锈，尤其是喷漆工具，使用时尽量靠近工具



LUBRICATOR OR INLINE OILER 注油器

此部分是将润化油混合空气进气动工具里，为了减少磨损及锈化不可使用喷漆工具类。



CONNECTOR 链接器

用来链接产品（类似于NPT牙），有公或母。



ADAPTER 接头

用来链接产品（不同于NPT牙），有公或母。



360° SWIVEL CONNECTOR 360° 选择连接头

用来防止管子扭曲&提高工具效率

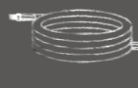


T-FITTING T型-通接头



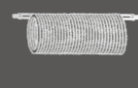
INLINE VALVE ON/OFF 阀

控制气流量，不影响压



3/8" I.D. HOSE 软管

在高流量（CFM）情况下，能增加他的工作距离



1/4" COIL HOSE 软管

自动伸缩，轻量化，体积小于常规的管线在低能量（CFM）状况下，能当第二个管线。



COUPLER & PLUGS 快速接头

能让连接件快速链接，使用时，请勿将不同款的连接器接在一起

专业提醒

气动工具使用需要一多排水，多加油保持适应的空气压力

扭力运算表

Torque operation table

长度 (length)

mm	m	inch	foot
1	0.001	0.03937	0.003281
1000	1	39.37	3.281
25.4	0.0254	1	0.08333
304.8	0.3048	12	1

1mm=0.03937
1m=39.37inch
1inch=25.4mm

力 (power)

N	kgf	lb(pound)
1	0.1020	0.2249
9.807	1	2.205
4.447	0.4535	1

1N=0.1020kgf
1kgf=9.807N=2.205lb
1lb=0.4535kgf

压力 (pressure)

kpa	kg/cm ²	lb/inch(p.s.i)	bar
1	1.010	0.0145	0.01
98.07	1	14.22	0.9807
6.895	0.07031	1	0.06895
100	1.0179	14.50	1

1pa=1N/m²
1kpa=1000pa=0.01bar
1kg=/m2=14.22lb/inch 2
1lb/inch2=0.0731kgf/cm²

扭力 (torque)

N-m	kg-m	ft-lb
1	0.1020	0.7378
9.807	1	7.233
1.356	0.1383	1

1N-m=0.1020kg-m
1n-m=0.7378ft-lb
1kg-m=7.233ft-lb
1ft-lb=1.356n-m

重量 (weight)

1lb=0.453595kg 1kg=2.20462lb

流量 (flow)

1cfm=28.3/min 1cfm=0.0283m3l/min 1cfm=0.471947l/s

气动工具的维护

- 1.风管链接工具之前，在进气孔处滴入4-5滴SAE#10润滑油或缝纫机油，避免用很稠密的润滑油，否则可能会导致工具性能降低甚至出现故障。
- 2.如果连续使用操作气动工具，每间1-2小时加注润滑油，从而确保工具的使用寿命。
- 3.当使用带此轮装置的气动工具（气动打磨系列，气动水磨系列，气钻系列等），请在使用前在齿轮处（先旋开本体上十字或一字螺丝）加注黄油，从而减少齿轮的摩擦，延长齿轮的使用寿命。
- 4.使用完毕后应及时擦干净工具表面污物等，并及时注油保养。
- 5.每周清洗气路上的空气过滤器。
- 6.定期（一般三个月）拆解工具，进行清洗和更换易损零部件，保证其始终处于良好状态。
- 7.对于已不能修复和到报废期的气动工具，不能继续使用，以防影响产品质量和伤及使用人员。